

# L275HIN

## FULL STAINLESS STEEL T-HANDLE WITH THREADED STUD



INOX

### Materials:

#### Knob:

Precision-cast stainless steel, (Aisi 304).

#### Stud:

Stainless steel (Aisi 303).

### Surface finish:

Satin.

### Colour:

Natural

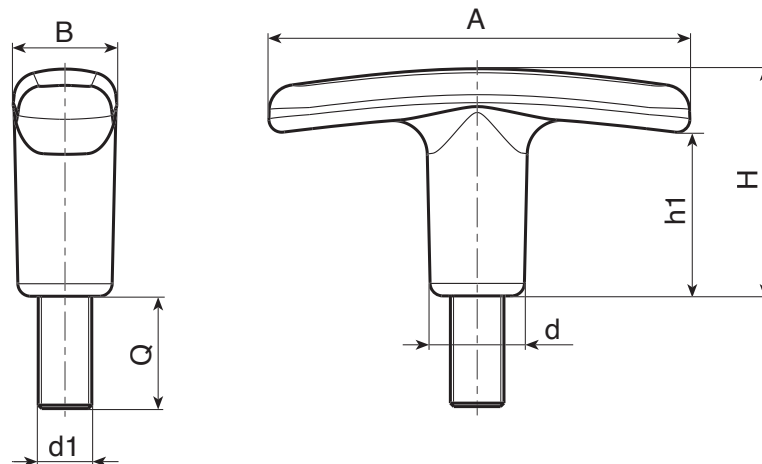
### Inserts:

Turned threaded stud (thread tolerance 6g).

ATTENTION: The stud is fixed with glue.

### Special Requests:

- Upon request and for a minimum of 50 pieces inserts can be supplied with customised lengths.



INOX

Code	Art.	A	B	H	h1	d	d1 <sub>6H</sub>	Q	
-	L27550.HNM06X30HIN	50	12	27	19	11	M6	30	--
-	L27560.HNM08X30HIN	60	14	34	24	13	M8	30	--
-	L27572.HNM08X30HIN	72	16	40	30	15	M8	30	--
-	L27572.HNM10X30HIN	72	16	40	30	15	M10	30	--