

L272

T-HANDLE WITH PLASTIC THREADED HOLE



Materials:

Reinforced polyamide.
Resistant to oils and greases.

Surface finish:

Satin.

Colour:

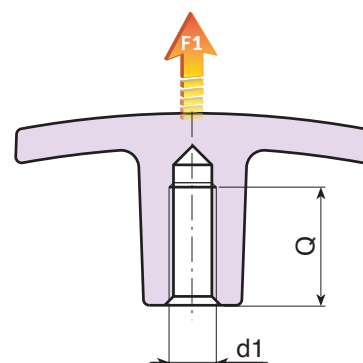
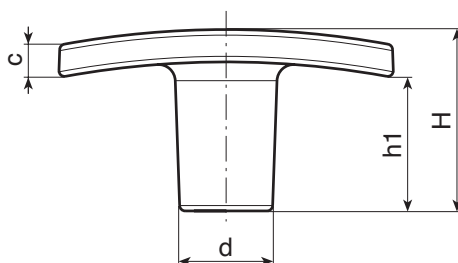
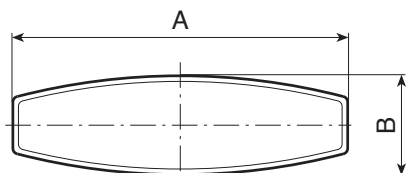
Black (RAL 9011).

Hole:

Female threaded hole obtained by moulding the plastic (thread tolerance not applicable).

Special Requests:

- Upon request and for special quantities available in the colours indicated in the chart [page].



Code	Art.	A	B	H	h1	c	d	d1	Q		F1 (N)
-	L27250.TM0501	50	15	24	17	5	14	M5	20	8	2800
-	L27250.TM0601	50	15	24	17	5	14	M6	20	8	2800
-	L27260.TM0501	60	18	33	24	6	16.5	M5	19	14	3000
-	L27260.TM0601	60	18	33	24	6	16.5	M6	19	14	3000
-	L27260.TM0801	60	18	33	24	6	17	M8	19	14	3000
-	L27260.TM1001	60	18	33	24	6	18	M10	19	13	3000
-	L27272.TM0801	72	19	34	20	10	18	M8	21	20	4600
-	L27272.TM1001	72	19	34	20	10	18	M10	21	20	4600
-	L27272.TM1201	72	19	34	20	10	18	M12	20	19	4600