

# L271



## T-HANDLE WITH THREADED STUD

### Materials:

Reinforced polyamide.  
Resistant to oils and greases.

### Surface finish:

Satin.

### Colour:

Black (RAL 9011).

### Inserts:

#### L271:

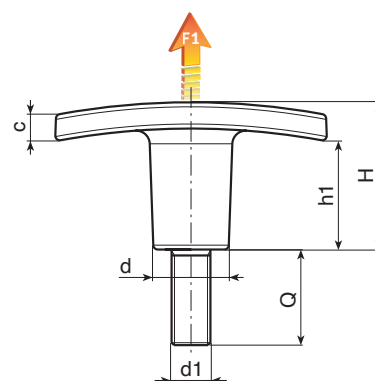
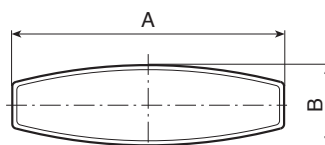
Galvanised steel threaded stud (thread tolerance 6g).

#### L271CIN:

Stainless steel threaded stud. (Aisi 303), (thread tolerance 6g).

### Special Requests:

- Upon request and for special quantities inserts can be supplied with customised lengths.
- Upon request and for special quantities inserts can be supplied in different materials.
- Upon request and for special quantities available in the colours indicated in the chart (attention: reduced range) [page ].



### Version L271: with galvanised steel insert.

Code	Art.	A	B	H	h1	c	d	LM	d1 <sub>6g</sub>	Q	$\bar{g}$	F1 (N)
-	L27150.TM05X2001	50	15	24	17	5	14	30	M5	20	13	4100
-	L27150.TM05X3001	50	15	24	17	5	14	30	M5	30	14	4100
-	L27150.TM06X1501	50	15	24	17	5	14	30	M6	15	14,5	4100
-	L27150.TM06X2001	50	15	24	17	5	14	30	M6	20	15	4100
-	L27150.TM06X3001	50	15	24	17	5	14	30	M6	30	16,5	4100
-	L27150.TM06X4001	50	15	24	17	5	14	30	M6	40	18	4100
-	L27160.TM05X1501	60	18	33	24	6	16,5	30	M5	15	20	4100
-	L27160.TM05X2001	60	18	33	24	6	16,5	30	M5	20	21	4100
-	L27160.TM05X3001	60	18	33	24	6	16,5	30	M5	30	20-21	4100
-	L27160.TM06X2001	60	18	33	24	6	16,5	30	M6	20	23	5800
-	L27160.TM06X3001	60	18	33	24	6	16,5	30	M6	30	25	5800
-	L27160.TM08X2001	60	18	33	24	6	16,5	30	M8	20	28	5800
-	L27160.TM08X3001	60	18	33	24	6	16,5	30	M8	30	31	5800
-	L27160.TM08X4001	60	18	33	24	6	16,5	30	M8	40	34	5800
-	L27160.TM10X2001	60	18	33	24	6	16,5	30	M10	20	30	5800
-	L27160.TM10X3001	60	18	33	24	6	16,5	30	M10	30	35	5800
-	L27160.TM10X4001	60	18	33	24	6	16,5	30	M10	40	30-35	5800
-	L27172.TM06X2001	72	19	34	20	10	18	80	M6	20	30	6500
-	L27172.TM06X3001	72	19	34	20	10	18	80	M6	30	32	6500
-	L27172.TM06X4001	72	19	34	20	10	18	80	M6	40	34	6500
-	L27172.TM08X2001	72	19	34	20	10	18	80	M8	20	39	6500
-	L27172.TM08X3001	72	19	34	20	10	18	80	M8	30	42	6500
-	L27172.TM08X4001	72	19	34	20	10	18	80	M8	40	45	6500
-	L27172.TM10X3001	72	19	34	20	10	18	80	M10	30	56	6500
-	L27172.TM10X4001	72	19	34	20	10	18	80	M10	40	61	6500
-	L27172.TM12X3001	72	19	34	20	10	18	80	M12	30	58	6500
-	L27172.TM12X4001	72	19	34	20	10	18	80	M12	40	64	6500
-	L27172.TM12X5001	72	19	34	20	10	18	80	M12	50	71	6500

Threaded stud length on request, with a minimum quantity of 250 pieces.  
LM = Maximum mouldable length.

### Version L271CIN: with stainless steel insert (Aisi 303).

Code	Art.	A	B	H	h1	c	d	LM	d1 <sub>6g</sub>	Q	$\bar{g}$	F1 (N)
-	L27150.TM06X2001CIN	50	15	24	17	5	14	30	M6	20	15	4100

