

# L251CIN

## FULL STAINLESS STEEL WING NUT WITH THREADED STUD



INOX

### Materials:

Precision-cast stainless steel, (Aisi 304).

### Surface finish:

Satin.

### Colour:

Natural

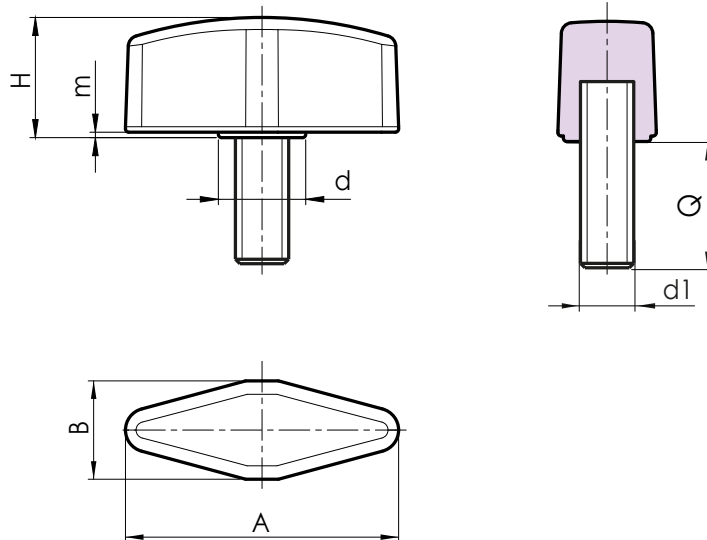
### Inserts:

Stainless steel threaded stud (Aisi 303) (thread tolerance 6g).

ATTENTION: The stud is fixed with glue.

### Special Requests:

- Upon request and for special quantities inserts can be supplied with customised lengths.
- Upon request and for special quantities the wing nut can be supplied in Aisi 316 stainless steel.



Code	Art.	A	B	H	m	d	d1 <sup>6g</sup>	Q	g
-	L25125.HM06X16CIN	25	9	11	0,5	8	M6	16	11
-	L25125.HM06X20CIN	25	9	11	0,5	8	M6	20	12
-	L25125.HM06X25CIN	25	9	11	0,5	8	M6	25	13
-	L25130.HM08X16CIN	30	11	13,5	0,5	10	M8	16	22
-	L25130.HM08X20CIN	30	11	13,5	0,5	10	M8	20	24
-	L25130.HM08X25CIN	30	11	13,5	0,5	10	M8	25	26
-	L25130.HM08X32CIN	30	11	13,5	0,5	10	M8	32	29
-	L25136.HM10X20CIN	36	13	15,5	0,5	12	M10	20	41
-	L25136.HM10X30CIN	36	13	15,5	0,5	12	M10	30	46
-	L25136.HM10X40CIN	36	13	15,5	0,5	12	M10	40	50

Customised stud length available for a minimum of 100 pieces.