

KBASE



BASE FOR SOLID CONTROL HANDWHEEL WITH INDICATOR SEAT AND PROVISION FOR HANDLE

Materials:

Reinforced and stabilized polyamide.
Resistant to oils and greases.

Surface finish:

Satin.

Colour:

Black (RAL 9011).

Insert:

Galvanised steel insert with smooth through bore (tolerance H10).

Lateral insert:

Brass insert with threaded through hole.

Mountable indicator:

Use gravity position indicators models K650 or K660. The indicator can be only used in a vertical position (horizontal machine axis). The indicator and the corresponding grub screw d7 must be purchased separately. For further information on the indicators see the pages of articles K650 and K660 [page 379 380 and page 381 382].

(*) With adapter KS08050.T01 you can mount the indicator K650050.

Fixing method:

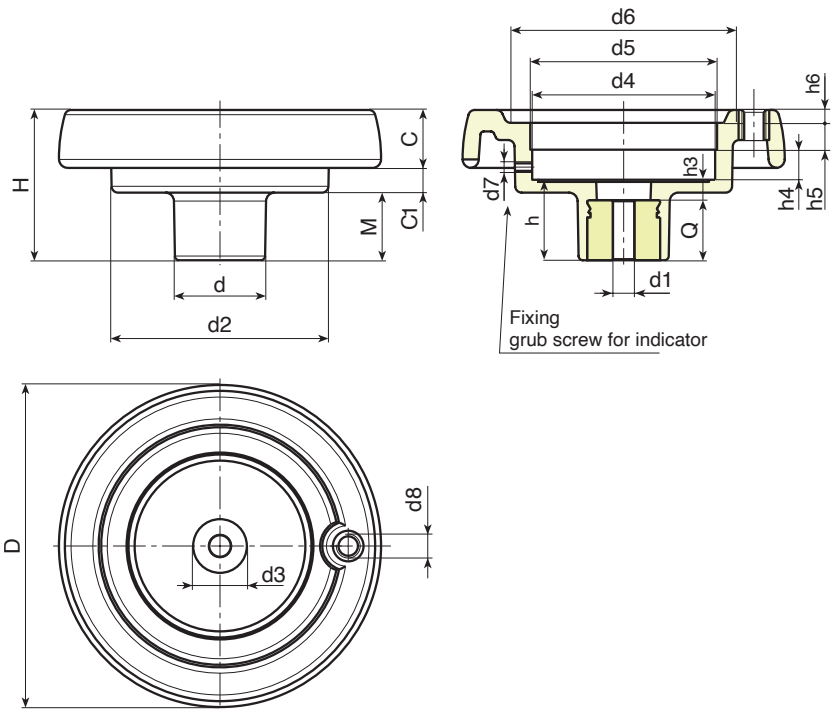
For fixing systems, or execution of keyways or square holes, please refer to the technical notes attached to the catalogue [page].

Special Requests:

- Upon request and for a minimum of 50 pieces inserts can be supplied with hole d1 with tolerance H7 and black oxide treated finish. Add letters ZB to the standard code. Example: K100.T050D1001PZB.
- Upon request and for special quantities inserts can be supplied with custom hole diameter d1.
- Upon request and for special quantities inserts can be supplied in different materials/with different coatings.
- **The indicator must be ordered separately.**
- Upon request and for special quantities it is possible to change the indicator seat.

Combinations Diameters/Indicators:

d5=50 --> K650050
d5=80 --> K650080 or K660080



Code	art.	D	H	d	d2	M	C	C1	d3	d4	d5	d6	d7	d8	h	h3	h4	h5	h6	Dm	d1	Q		
-	K087.T050D5,801P	86	53	32	62	21	17	15	20	50.8	50	63	M6	M6	26.5	6.5	11.5	12	3	12	5.8	20	155	
-	K100.T050D6,801P	99	55.5	32	63	23.5	20.5	11.5	20	50.8	50	68	M6	M6	29	9	11.5	12	3.5	12	6.8	20	170	
-	K130.T080D6,801P	129	64.5	42	100	27.5	23	14	29	85.7	80*	90	M6	M8	34	10	13.5	12.5	5	20	6.8	24	350	
-	K150.T080D6,801P	149	69	42	101	31	25.5	12.5	29	85.7	80*	106	M6	M10	37	9	13.5	12.5	6.5	20	6.8	28	430	
-	K175.T080D6,801P	175	72	40	115	28.5	32	11.5	25	85.7	80*	126.5	M6	M10	38	10	12.5	14	8	20	6.8	28	650	
-	K200.T080D6,801P	199	71	46	137	24	32	15	29	85.7	87.4	144	M6	M10	34	11	13.5	12.5	10	22	6.8	23	810	

Attention: For a minimum of 50 pieces the diameter d1 can be customised (hole tolerance H10 galvanised and H7 black-oxide treated).
Dm = Maximum obtainable diameter for subsequent machining (widening).