

K902



SOLID CONTROL HANDWHEEL WITH INDICATOR SEAT AND REVOLVING HANDLE

Materials:

Reinforced and stabilized polyamide. Resistant to oils and greases.

Surface finish:

Satin.

Colour:

Black (RAL 9011).

Main insert:

Galvanised steel insert with smooth through bore (tolerance H10).

Lateral insert:

Brass insert with threaded through hole.

Lateral handle:

K902: Revolving handle art. M144 page (.)
 K906: Revolving handle art. M129 page (.)
 K907: Revolving handle art. M145 page (.)
 K908: Revolving handle art. M202 page (.)

Mountable indicator:

Use gravity position indicators models K650 or K660. The indicator can be only used in a vertical position (horizontal machine axis). The indicator and the corresponding grub screw d7 must be purchased separately. For further information on the indicators see the pages of articles K650 and K660 [page 379 380 and page 381 382].

(*) With adapter KS08050.T01 you can mount the indicator K650050.

Fixing method:

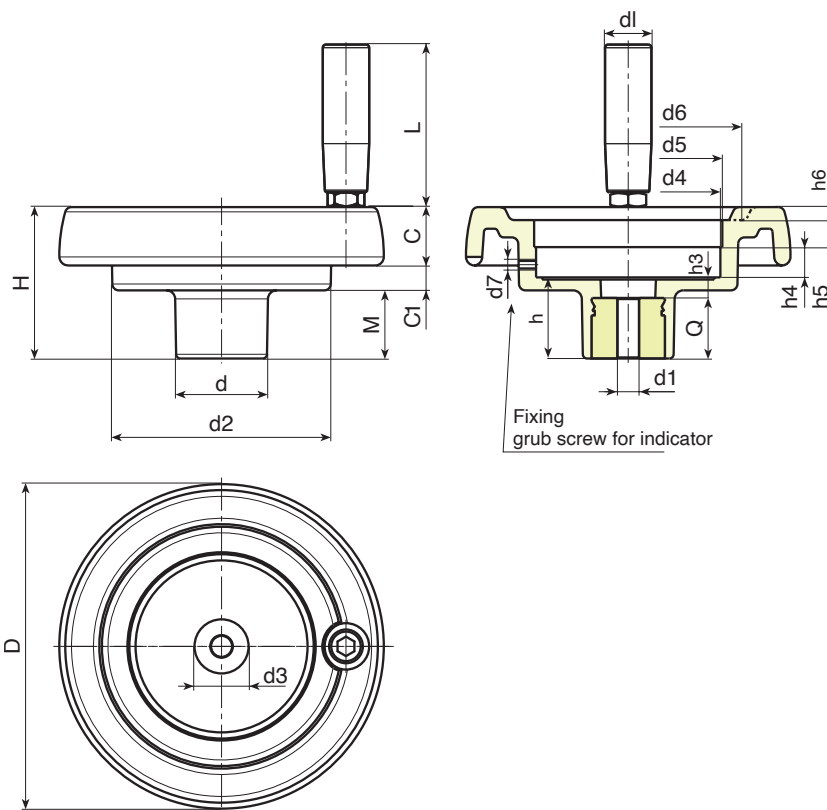
For fixing systems, or execution of keyways or square holes, please refer to the technical notes attached to the catalogue [page].

Special requests:

- Upon request and for a minimum of 50 pieces inserts can be supplied with hole d1 with tolerance H7 and black oxide treated finish. Add letters ZB to the standard code. Example: K902100.T050D1001PZB.
- Upon request and for special quantities inserts can be supplied with custom hole diameter d1.
- Upon request and for special quantities inserts can be supplied in different materials/with different coatings.
- The indicator must be ordered separately.
- Upon request and for special quantities it is possible to change the indicator seat.

Combinations Diameters/Indicators:

d5=50 --> K650050
 d5=80 --> K650080 or K660080



Code	art.	D	H	d	d2	M	C	C1	d3	d4	d5	d6	d7	h	h3	h4	h5	h6	d1	L	Dm	d1	Q	g	
-	K902087.T050P5,801P	86	53	32	62	21	17	15	20	50.8	50	63	M6	26.5	6.5	11.5	12	3	20	56	12	5.8	20	185	
-	K902100.T050P6,801P	99	55.5	32	63	23.5	20.5	11.5	20	50.8	50	68	M6	29	9	11.5	12	3.5	20	56	12	6.8	20	200	
-	K902130.T080P6,801P	129	64.5	42	100	27.5	23	14	29	85.7	80*	90	M6	34	10	13.5	12.5	5	21	65	20	6.8	24	406	
-	K902150.T080P6,801P	149	69	42	101	31	25.5	12.5	29	85.7	80*	106	M6	37	9	13.5	12.5	6.5	23	76	20	6.8	28	530	
-	K902175.T080P6,801P	175	72	40	115	28.5	32	11.5	25	85.7	80*	126.5	M6	38	10	12.5	14	8	25	86	20	6.8	28	760	
-	K902200.T080P6,801P	199	71	46	137	24	32	15	29	85.7	80*	144	M6	34	11	13.5	12.5	10	25	86	22	6.8	23	920	

Attention: For a minimum of 50 pieces the diameter d1 can be customised (hole tolerance H10 galvanised and H7 black-oxide treated).
 Dm = Maximum obtainable diameter for subsequent machining (widening).

K906

SOLID CONTROL HANDWHEEL WITH INDICATOR SEAT AND REVOLVING HANDLE M129



Code	art.	D	d5	d7	dI	L	Dm	d1	Q	
-	K906087.T050P6,801P	86	50	M6	20	52	12	5.8	20	197
-	K906100.T050P6,801P	99	50	M6	20	52	12	6.8	20	212
-	K906130.T080P6,801P	129	80*	M6	23	62	20	6.8	24	410
-	K906150.T080P6,801P	149	80*	M6	25	72	20	6.8	28	522
-	K906175.T080P6,801P	175	80*	M6	25	81	20	6.8	28	750
-	K906200.T080P6,801P	199	80*	M6	25	81	22	6.8	23	910

Attention: For a minimum of 50 pieces the diameter d1 can be customised (hole tolerance H10 galvanised and H7 black-oxide treated).
Dm = Maximum obtainable diameter for subsequent machining (widening).

Insert:

Galvanised steel insert with smooth through bore (tolerance H10).

Lateral handle:

Revolving handle art. M129 [page].

K907

SOLID CONTROL HANDWHEEL WITH INDICATOR SEAT AND REVOLVING HANDLE M145



Code	art.	D	d5	d7	dI	L	Dm	d1	Q	
-	K907087.T050P5,801P	86	50	M6	20	55	12	5.8	20	187
-	K907100.T050P6,801P	99	50	M6	20	55	12	6.8	20	205
-	K907130.T080P6,801P	129	80*	M6	23	66	20	6.8	24	424
-	K907150.T080P6,801P	149	80*	M6	25	76	20	6.8	28	516
-	K907175.T080P6,801P	175	80*	M6	25	87	20	6.8	28	745
-	K907200.T080P6,801P	199	80*	M6	27	87	22	6.8	23	900

Attention: For a minimum of 50 pieces the diameter d1 can be customised (hole tolerance H10 galvanised and H7 black-oxide treated).
Dm = Maximum obtainable diameter for subsequent machining (widening).

Insert:

Galvanised steel insert with smooth through bore (tolerance H10).

Lateral handle:

Revolving handle art. M145 [page].

K908

SOLID CONTROL HANDWHEEL WITH INDICATOR SEAT AND REVOLVING HANDLE M202



Code	art.	D	d5	d7	dI	L	Dm	d1	Q	
-	K908150.T080P6,801P	149	80*	M6	40	64	20	6.8	28	525
-	K908175.T080P6,801P	175	80*	M6	40	64	20	6.8	28	745
-	K908200.T080P6,801P	199	80*	M6	40	64	22	6.8	23	905

Attention: For a minimum of 50 pieces the diameter d1 can be customised (hole tolerance H10 galvanised and H7 black-oxide treated).
Dm = Maximum obtainable diameter for subsequent machining (widening).

Insert:

Galvanised steel insert with smooth through bore (tolerance H10).

Lateral handle:

Revolving handle art. M202 [page].