

# K620

## 5-DIGIT NUMERATOR BLOCK



### Materials:

#### (1-2) Numerator case:

Glass fiber reinforced polyamide.  
Resistant to oils and greases.

#### (3) Grub screw:

K620: Steel C45  
K620CIN: Stainless steel (Aisi 304).

#### (4) Shaft connector:

K620: Free-cutting steel.  
K620CIN: Stainless steel (Aisi 303).

#### (4) Window:

Polymethylmethacrylate (PMMA).

#### (4) Number wheels:

Polyamide.

### Surface finish:

(1-2-6) Smooth.  
(4) Fine turned finish.  
(5) Glossy, enhanced reading effect.

### Colour:

#### (1) Case cover:

Black (RAL 9011 code 01)

#### (2) Case:

K620: Black (RAL 9011 code 01).

K622: Orange (RAL 2004 code 02).

K623: Grey (RAL 7035 cod. 13).

#### (3) Grub screw:

K620: Black-oxide treated.

K620CIN: Natural.

#### (4) Connector

K620: Black-oxide treated.

K620CIN: Natural.

#### (5) Window:

Transparent.

#### (6) Number wheels:

Black wheel with white numbers.



### Number wheel characters:

White pad printed. Character height 4 mm approx.

### Gear ratio (GR):

The gear ratio establishes which number must appear on the counter after making a full turn (360°). For example, by choosing a gear ratio of 15, after one revolution on the window you will see digits 015. The position of the decimal point will help reduce the measure, because, choosing one decimal place, the 015 becomes 01.5.

### Mounting / reading position (PL):

The numerator block can be applied in four different positions. Please choose the most suitable for your application:

P1 = Vertical, with numbers on upper side  
P2 = Vertical, with numbers on vertical side  
P3 = Horizontal, with numbers on inclined side  
P4 = Horizontal, with numbers on vertical side.

### Rotation direction (SR):

O = increase of values with clockwise rotation  
A = increase of values with counter clockwise rotation

### Decimal point (PD):

The numerator block can also be chosen with decimal point. In this case, with three digits, the decimal position is available in these formats:

PD = 0 - no decimal point indicated (00000)  
PD = 1 - one digit after decimal point (0000.0)  
PD = 2 - two digits after decimal point (000.00)  
PD = 3 - three digits after decimal point (00.000)  
PD = 4 - four digits after decimal point (0.0000)

### Base case seal:

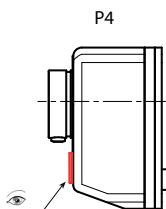
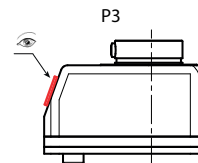
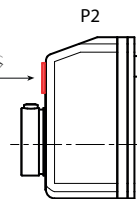
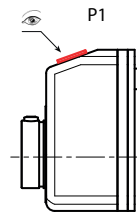
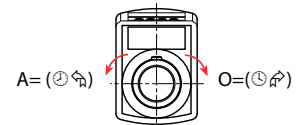
Each numerator comes with a base case seal in black polyurethane foam. For additional orders use code K607067.

### Special requests:

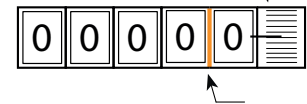
- Upon request a shaft reducing sleeve K605 can be supplied in black oxide treated steel, diameters available: 08 - 10 - 12 - 14 - 18.
- Upon request it can be supplied with the anti-rotation pin with backlash compensation.
- Upon request an intermediate extension for base case can be supplied separately (K606067).

Mounting or reading position (PL)

Rotation direction (SR)



5-digit numerator block, 1 decimal place



Intermediate extension for base K60667



Base case seal included K60767

Reducing sleeve K605

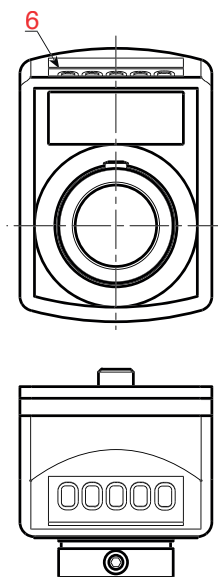
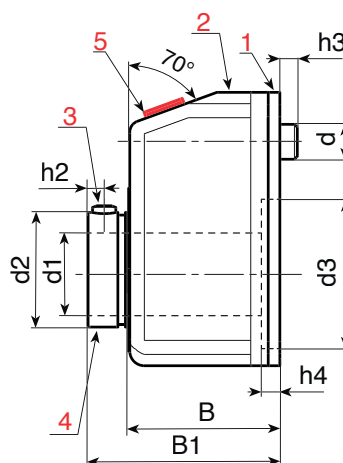
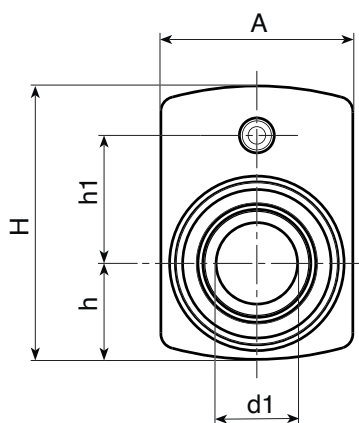
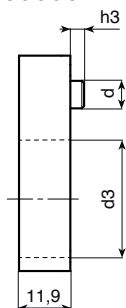


# K620

## 5-DIGIT NUMERATOR BLOCK



K606067



K

### Options to specify in the order (GR-SR-PL-PD)

art.	H	A	h	h1	h2	h3	h4	B	B1	d	d2	d3	d1H7	GR	SR	PL	PD		
K620067.TD20.....	67,5	48	25,5	30	3,5	6	2	30	38,5	6	27	40	20	10 - 12/5 - 15 - 17/5 - 20 - 25 - 30 - 39/375 - 40 - 50 - 60 - 78/75 - 80 - 100	O-A	P1-P2- P3-P4	0-1-2-2-4	100	
K622067.TD20.....	67,5	48	25,5	30	3,5	6	2	30	38,5	6	27	40	20	10 - 12/5 - 15 - 17/5 - 20 - 25 - 30 - 39/375 - 40 - 50 - 60 - 78/75 - 80 - 100	O-A	P1-P2- P3-P4	0-1-2-2-4	100	
K623067.TD20.....	67,5	48	25,5	30	3,5	6	2	30	38,5	6	27	40	20	10 - 12/5 - 15 - 17/5 - 20 - 25 - 30 - 39/375 - 40 - 50 - 60 - 78/75 - 80 - 100	O-A	P1-P2- P3-P4	0-1-2-2-4	100	
K620067.TD20.....CIN	67,5	48	25,5	30	3,5	6	2	30	38,5	6	27	40	20	10 - 12/5 - 15 - 17/5 - 20 - 25 - 30 - 39/375 - 40 - 50 - 60 - 78/75 - 80 - 100	O-A	P1-P2- P3-P4	0-1-2-2-4	100	
K622067.TD20.....CIN	67,5	48	25,5	30	3,5	6	2	30	38,5	6	27	40	20	10 - 12/5 - 15 - 17/5 - 20 - 25 - 30 - 39/375 - 40 - 50 - 60 - 78/75 - 80 - 100	O-A	P1-P2- P3-P4	0-1-2-2-4	100	
K623067.TD20.....CIN	67,5	48	25,5	30	3,5	6	2	30	38,5	6	27	40	20	10 - 12/5 - 15 - 17/5 - 20 - 25 - 30 - 39/375 - 40 - 50 - 60 - 78/75 - 80 - 100	O-A	P1-P2- P3-P4	0-1-2-2-4	100	

Notes: Note: For ratios "/5" the arithmetic values are not displayed.

When ordering, please insert the chosen options in the code points.

Example 1:

Example 1: for a numerator block with 5 digits (K620067) with shaft of 20mm (d1), - orange colour (K622), - with gear ratio (GR) 50, - with clockwise rotation (SR) O, - with reading position (PL) P2, - with four decimal places (PD) 4, the complete code is thus formed: K622067.TD20050OP24.

or

Example 2: for a numerator block with 5 digits (K620067) with stainless steel shaft of 20mm (d1), - grey colour (K620), - with gear ratio (GR) 15, - with counterclockwise rotation (SR) A, - with reading position (PL) P3, - with four decimal places (PD) 4, the complete code is thus formed: K622067.TD20015AP34CIN.