

K590

FIXING PLATE FOR NUMERATOR BLOCK



PA6

Zamak

UL94
HB



Material:

Plate:

Die-cast zinc alloy (zamak).

Lever:

Glass fiber reinforced polyamide. See specific data on art. A580.

Surface finish:

Plate:

Smooth, epoxy powder coated.

Lever:

Satin.

Colour:

Black (RAL 9011).

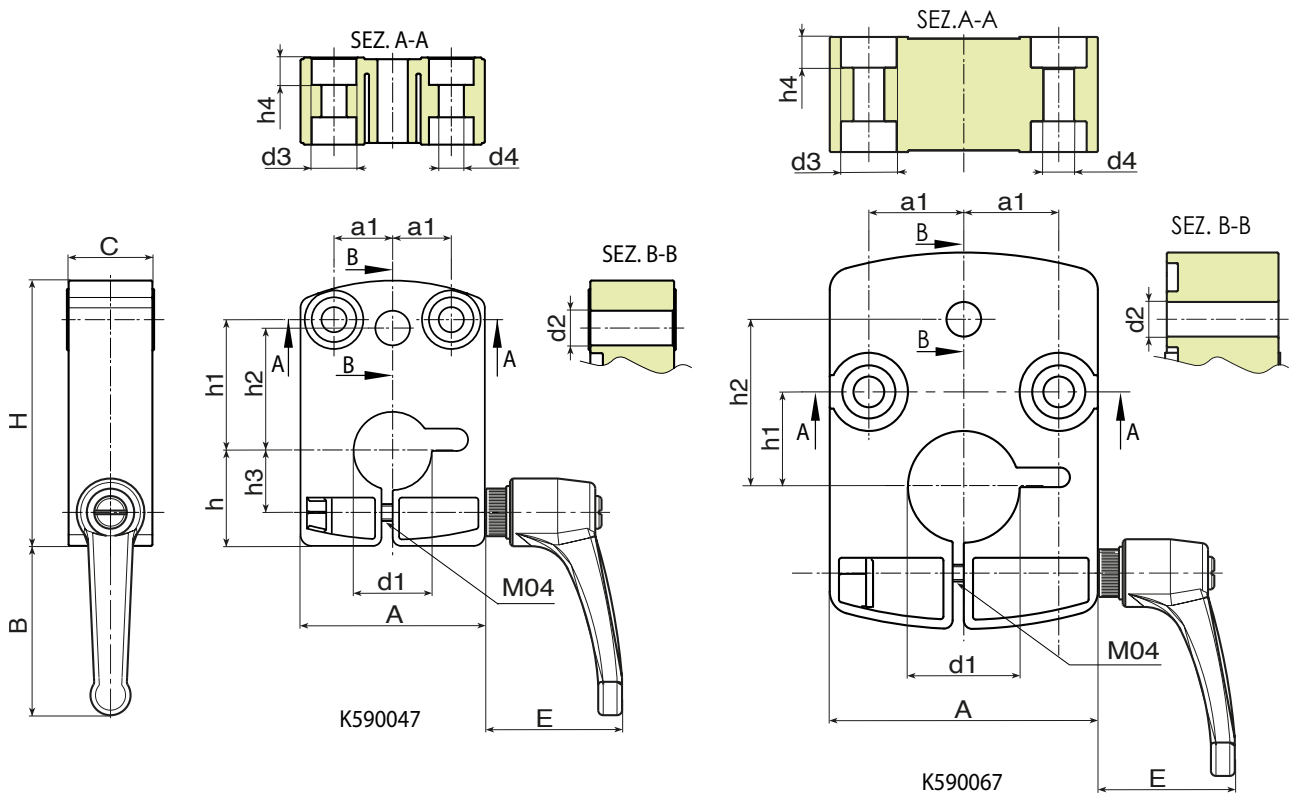
Fixing systems:

Hexagonal socket head cap screw (TCCE) M4 in galvanised steel.

Compatibility:

K590047: For block K610047.

K590067: For block K620067.



Code	art.	H	A	C	B	E	a1	h	h1	h2	h3	h4	d2	d3	d4	d1	
-	K590047.TD14P1	47,5	33	15	38	33	10,5	17	23,5	22	11	4,9	6,2	8	4,5	14	105
-	K590067.TD20P1	67,4	48	20	34	33	17	-	17	30	-	5,5	6,2	10	5,5	20	165