

K170

LOBED HANDWHEEL FOR INDICATOR



Materials:

Reinforced polyamide. Resistant to oils and greases.

Surface finish:

Satin.

Colour:

Black (RAL 9011).

Mountable indicator:

Gravity position indicator model K650080. The indicator can be only used in a vertical position (horizontal machine axis). The indicator must be purchased separately. For further information see article K650 [page 379 380].

Insert:

Galvanised steel insert with smooth through bore (tolerance H10) with key according to the dimension of the bore.

Indicator fixing method:

Fix the indicator with a threaded grub screw M05 (not supplied) to be inserted in the special bore M05.

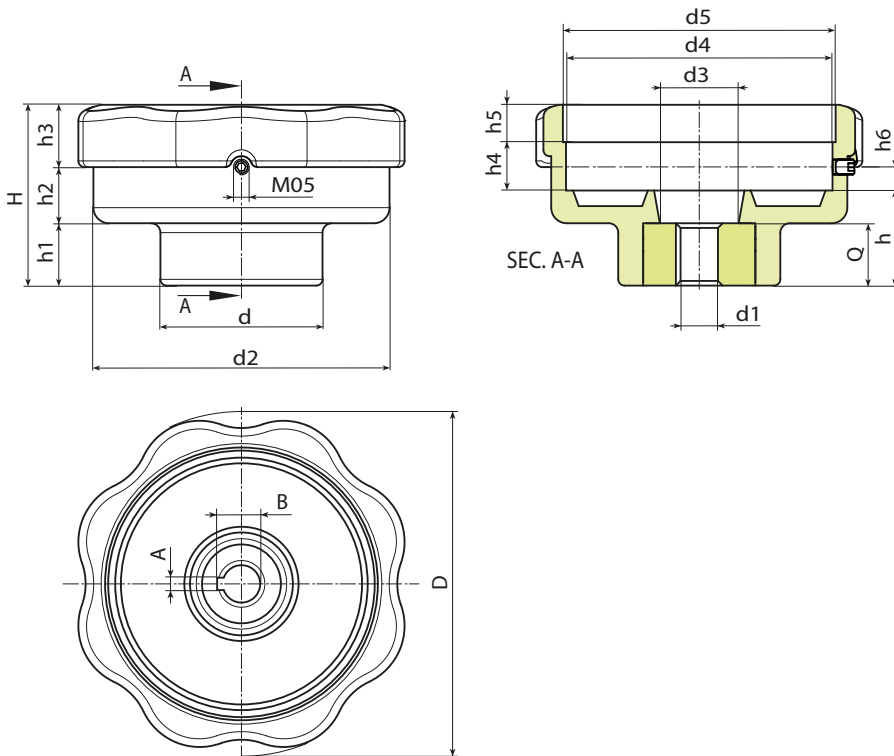
Special Requests:

- Upon request and for a minimum of 50 pieces inserts can be supplied with hole d1 with tolerance H7 and black oxide treated finish. Add letters ZB to the standard code. Example: K170110.T80D1201ZB.
- Upon request and for special quantities inserts can be supplied with custom hole diameter d1.
- Upon request and for special quantities inserts can be supplied in different materials.

Combinations Diameters/Indicators:

d5=52.4 --> K650050

d5=87.4 --> K650080 or K660080



Code	art.	D	H	h	h1	h2	h3	h4	h5	h6	d	d2	d3	d4	d5	A	B	d1H10	Q	g
-	K170110.T80D1201H	110	58	30.5	20	18	20	15.5	12	7.5	52	95	25	85.5	87.4	4	13.1	12	20	230