

K150

KNURLED KNOB FOR INDICATOR



Materials:

Reinforced polyamide. Resistant to oils and greases.

Surface finish:

Satin.

Colour:

Black (RAL 9011).

Mountable indicator:

Gravity position indicator type K650050. The indicator can be only used in a vertical position (horizontal machine axis). The indicator must be purchased separately. For further information see article K650 [page 379 380].

ATTENTION:

In your order specify the following information and select the corresponding letter to insert in the code:

Rotation direction

O = increase of values with clockwise rotation. A = increase of values with counter clockwise rotation.

Gear ratio and corresponding scale:

Select the appropriate gear ratio by deciding which number the big black pointer must indicate after the knob has completed one turn. The graduated scale will be proportional to the selected ratio. A ratio of 12 will have a scale that ranges from 0 to 12.

Insert:

Galvanised steel insert with smooth through bore (tolerance H10).

Fixing method:

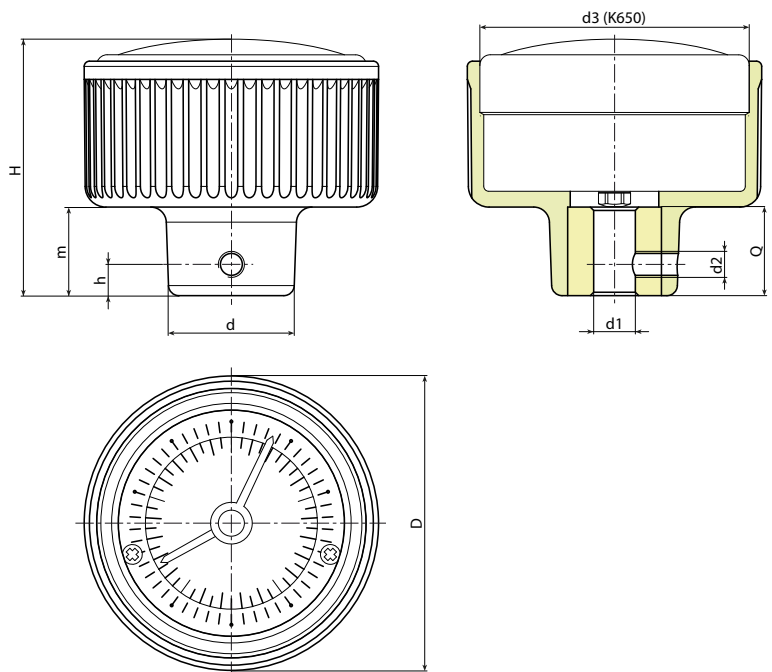
The knob is fixed to the shaft by means of the threaded radial hole (d2) (grub screw not supplied).

Special Requests:

- Upon request and for a minimum of 50 pieces inserts can be supplied with hole d1 with tolerance H7 and black oxide treated finish. Add letters ZB to the standard code. Example: K150057.TD1001O12ZB.
- Upon request and for special quantities inserts can be supplied with custom hole diameter d1.
- Upon request and for special quantities inserts can be supplied in different materials.

Combinations Diameters/Indicators:

d3=52.4 --> K650050
d3=66.8 --> K650070
d3=87.4 --> K650080 or K660080



art.	D	d	H	h	m	d3	d2	d1H10	dm	Q	g
K150057.TD0801...	57	24	50	6	17	52,4	M5	8	12	16	105
K150057.TD1001...	57	24	50	6	17	52,4	M5	10	12	16	104
K150057.TD1201...	57	24	50	6	17	52,4	M5	12	12	16	103
K150072.TD0801...	72	28	56	6	21	66,8	M5	8	12	20	165
K150072.TD1001...	72	28	56	6	21	66,8	M5	10	12	20	163
K150072.TD1201...	72	28	56	6	21	66,8	M5	12	12	20	161
K150094.TD1001...	94	36	60	6	24	87,4	M5	10	15	24	376
K150094.TD1201...	94	36	60	6	24	87,4	M5	12	15	24	373
K150094.TD1401...	94	36	60	6	24	87,4	M5	14	15	24	370

Attention: For a minimum of 50 pieces the diameter d1 can be customised (hole tolerance H10 galvanised and H7 black-oxide treated). Dm = Maximum obtainable diameter for subsequent machining (widening).

Available gear ratios: 1-2-3-6-10-12-15-18-20-24-30-36-48-50-60-72-84-96-100. In your order enter rotating direction and gear ratio in place of the three dots. Example: clockwise indicator with a ratio of 12 on knob d. 57 with hole 10 H10: code: K150057.TD1001O12.