

J800

PRESSURE TIP (SPARE PART)



Materials:

- (1) Free-cutting steel threaded stud.
- (2) Pair of steel threaded lock nuts (DIN 913).
- (3) Chloroprene rubber pressure tip (neoprene). Hardness 75 Shore.

Surface finish:

Smooth.

Colour:

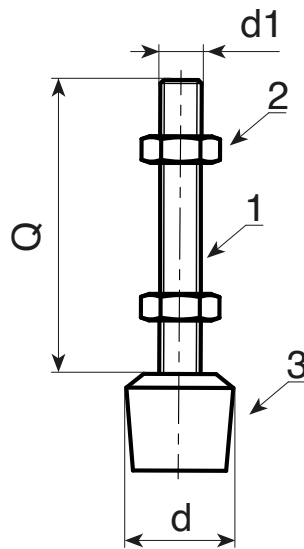
- (2) Black (RAL 9011).
- (1-2) Standard blue galvanising.

Packaging:

Tip supplied with the two nuts mounted.

Special Requests:

- None.



Code	art.	d	d1	Q	
-	J80015.TM06X3201	15	M6	32	14
-	J80015.TM06X4401	15	M6	44	14
-	J80020.TM08X5401	20	M8	54	35
-	J80025.TM10X7501	25	M10	75	74