

J295



TPV

DD13

UL94
HB



LIGHT TOGGLE CLAMP WITH THRUST ROD AND THREADED ATTACHMENT

Materials:

- (1) TPV thermoplastic rubber handle. Hardness 75 Shore.
- (2) Sheared and bent base and lever system in sheet metal (DD13).
- (3) Rotation pins and fixing rivets in stainless steel (Aisi 304).
- (4) Thrust rod with threaded hole in free-cutting steel.
- (5) Steel lock nut, thin series with fine pitch.
- (6) Sheared and bent rectangular washers in sheet metal (DD13) for panel mounting.

Surface finish:

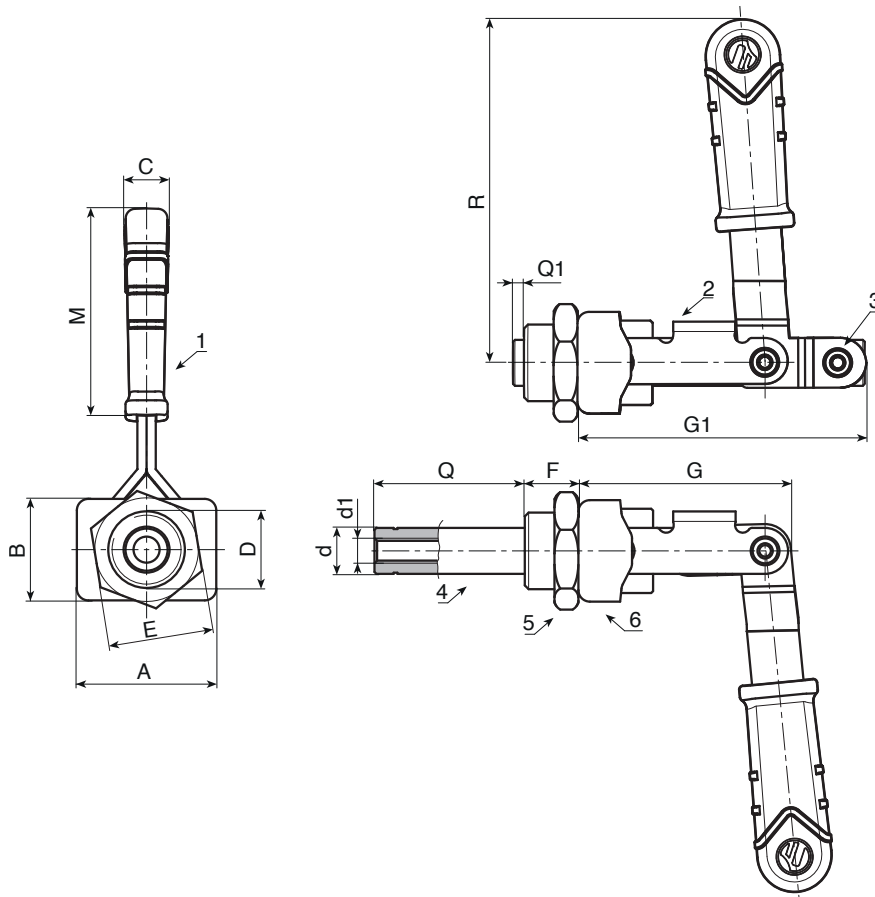
Smooth.

Colour:

- (1) Red (RAL 3000).
- (4) Black-oxide treated.
- (2-5-6) Standard blue galvanising.

Special Requests:

- None.



Code	art.	F1 (Kg)	A	B	C	D	E	F	G	G1	Q	Q1	M	R	d	d1	
-	J295015.FZ16	150	36,5	26,5	12	M20x1,5	27	14	75	56	38,5	1,5	53	90	12	M8	280