

# J270



## SMALL HORIZONTAL STEEL TOGGLE CLAMP WITH BASE

### Materials:

- (1) Handle covered with thermoplastic rubber.
- (2) Free-cutting steel threaded stud.
- (3) TPV rubber pressure tip.
- (4) Steel lock nut (DIN 934).
- (5) Sheared and bent base and lever system in sheet metal (DD13).
- (6) Rotation pins and rivets in stainless steel (Aisi 304).
- (7) Sheared and bent washers in sheet metal (DD13).

### Surface finish:

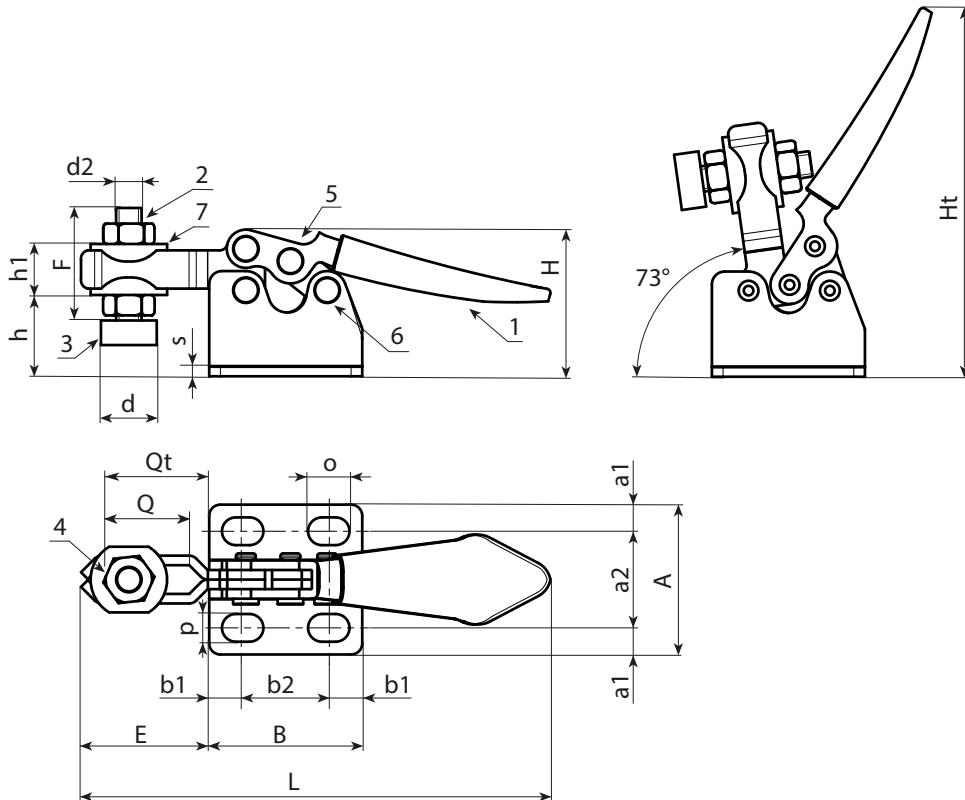
Smooth.

### Colour:

- (1) Yellow.
- (3) Red.
- (2-4-5-7) Standard blue galvanising.

### Special Requests:

- None.



Code	art.	h	L	A	B	E	F	H	Ht	Q	Qt	d	d2	o	p	a1	a2	b1	b2	h1	s	F1 (Kg)	
-	J270008.FZ10	9	75	24	24,5	20	18	18	54	12	16	9	M4	6,5	4,5	4,3	15,5	5,5	13,5	6	1,5	40	26
-	J270014.FZ10	9	75	24	24,5	20	18	24	60	12	16	9	M4	6,5	4,5	4,3	15,5	5,5	13,5	6	1,5	40	29