

# J265

## HEAVY DUTY LEVER TOGGLE LATCH



### Materials:

- (1) Thin plastic handle. Resistant to oils and greases.
- (2) Cast steel lever system and base.
- (3) Cast steel catch plate.
- (4) Hardened steel U-shaped hook with threaded ends.
- (5-6) Galvanised steel lock nuts.
- (7) Galvanised, hardened steel pivot pin. With lubricated guide bearing. Fixed with snap rings.
- (8) Galvanised, hardened steel rotary retainer bush. With lubricated guide bearing. Fixed with snap rings.
- (9) Stainless steel fixing rivets (Aisi 303).

### Surface finish:

- (1-4-5-6-7-8-9) Smooth.
- (2-3) Sandblasted satin finish.

### Colour:

- (1) Red.
- (2-3-4-5-6-7-8) Standard blue galvanising.
- (9) Natural.

### Packaging:

The code includes the toggle latch and its catch plate. The catch plate can also be ordered separately with the following codes:  
J266150.FZ for toggle latch J265150.FZ

### Special Requests:

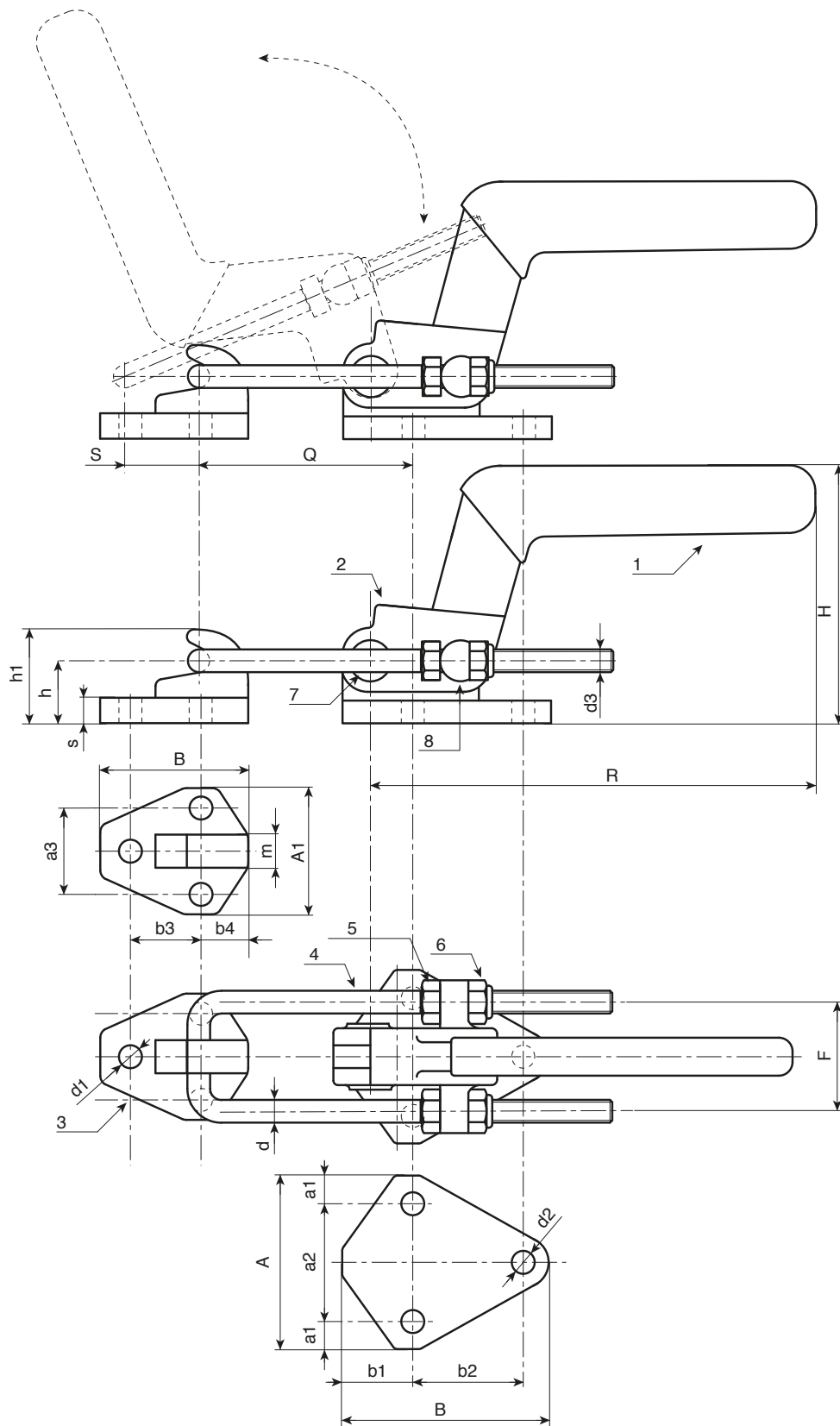
- None.



Code	Art.	F1 (kN)	R	H	S	Q	F	A	A1	a1	a2
-	J265150.FZ	15	168	94	50	81±132	54	82	60	13	56

# J265

## HEAVY DUTY LEVER TOGGLE LATCH



Code	Art.	a3	B	B1	d	d1	d2	d3	b1	b2	b3	b4	h	h1	m	s	
-	J265150.FZ	42	98.5	70	9	10.5	10.5	M10	33.5	52.5	35	23	33	50	15.5	11	1800