

J190

REVERSE TOGGLE LATCH



Materials:

- (1) Sheared and bent steel body.
- (2) Sheared and bent steel catch plate.
- (3) Moulded and threaded steel hook.
- (4) Stainless steel fixing rivets (Aisi 304).

Surface finish:

Smooth.

Colour:

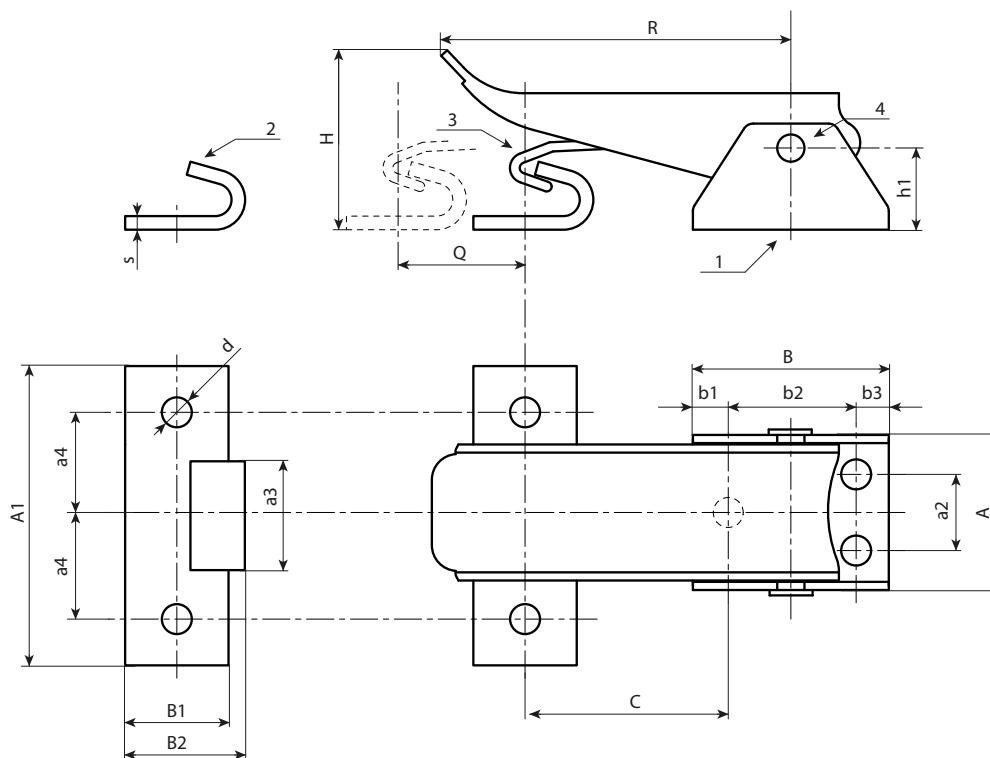
Natural.

Packaging:

The article comes complete with the corresponding standard catch plate.

Special Requests:

- Upon request and for special quantities the article can be supplied in stainless steel.



Code	art.	R	Q	H	C	h1	A	B	A1	B1	b1	b2	b3	a2	a3	a4	s	d	
-	J190036.FZ	65,5	18	29	39÷57	16	28,5	35	55	17,5	5,5	24	5,5	14	20	20	2,5	5,5	115