

# J183



## STEEL CATCH PLATE FOR ADJUSTABLE TOGGLE LATCH

### Materials:

#### J183:

Drilled and sheared catch plate made of steel.

#### J183CIN:

Drilled and sheared catch plate made of stainless steel (Aisi 304).

### Surface finish:

Glossy.

### Colour:

#### J183:

Standard blue galvanising.

#### J183CIN:

Natural.

### ATTENTION:

The toggle latch must be ordered separately from the catch plate.

### Special Requests:

- None.

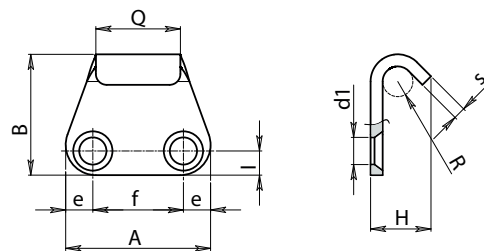
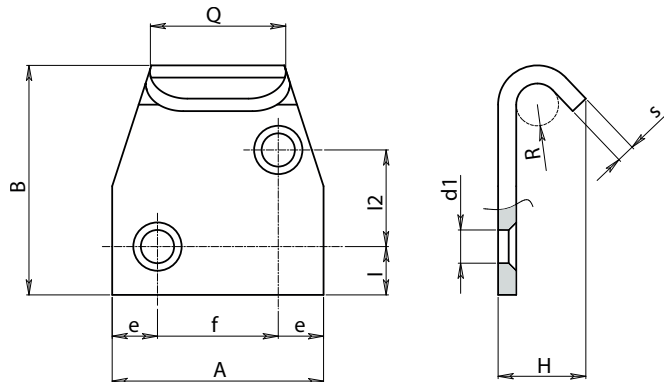
### COMBINABLE CATCH PLATES:

Catch plate J183048 combinable with toggle latches: J180048-J182048.

Catch plate J183065 combinable with toggle latches: J180065-J182065-J180112-J182112.



J



### Version J183 - galvanised steel

Code	Art.	H	I	I2	A	B	Q	e	f	R	d1	s	
-	J183048.FZ10	10	5	-	26	20	14	5.5	15	2.5	5.1	2	7
-	J183065.FZ14	13.5	8.5	16	35	39	22	7.5	20	3.5	5.5	2	31

### Version J183CIN - stainless steel

Code	Art.	H	I	I2	A	B	Q	e	f	R	d1	s	
-	J183048.FZ10CIN	10	5	-	26	20	14	5.5	15	2.5	5.1	2	7
-	J183065.FZ14CIN	13.5	8.5	16	35	39	22	7.5	20	3.5	5.5	2	31

