

J182

ADJUSTABLE STEEL TOGGLE LATCH WITH PADLOCK



Materials:

J182:

Adjustable toggle latch made of shear steel with padlock hasp.

J182CIN:

Adjustable toggle latch made of shear stainless steel with padlock hasp (Aisi 304).

Surface finish:

Glossy.

Colour:

J182:

Standard blue galvanising.

J182CIN:

Natural.

ATTENTION:

The catch plate must be ordered separately from the toggle latch.

Special Requests:

- None.

COMBINABLE CATCH PLATES:

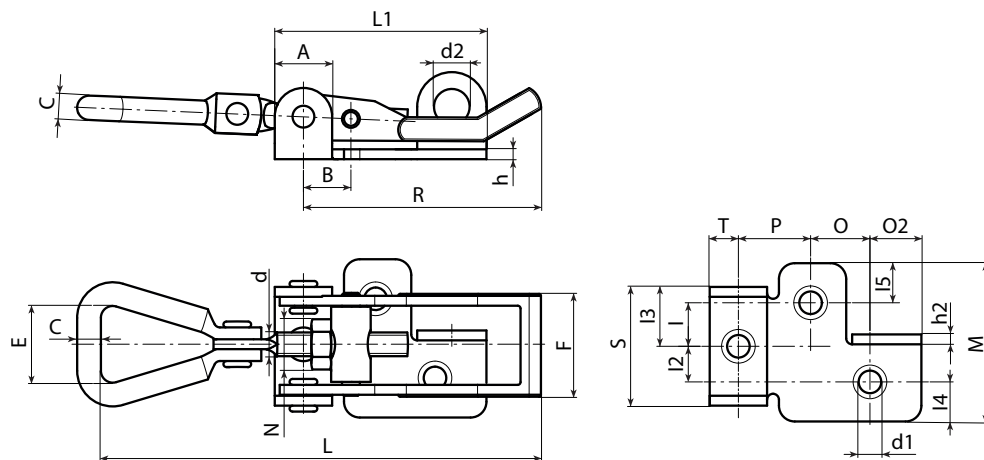
Article J182048 combinable with catch plates: J183048-J184048

Article J182065 combinable with catch plates: J183065-

J184065-J185065

Article J182112 combinable with catch plates: J183065-

J184065-J185065



Version J182: Galvanised steel version.

| Code | art. | R | L | L1 | A | B | C | d | d1 | d2 | E | F | h | h2 | I | I2 | I3 | I4 | I5 | M | O | O2 | P | T | S | | |
|------|------------|-----|---------|------|----|----|-----|----|-----|-----|----|----|-----|-----|------|------|----|------|------|----|----|----|----|------|----|-----|--|
| - | J182048.FZ | 48 | 66-75 | 42.5 | 11 | 11 | 4.3 | M5 | 5.3 | 7 | 17 | 17 | 2 | 2 | 7 | 7 | 10 | 6.5 | 6.5 | 27 | 11 | 9 | 11 | 11.5 | 20 | 43 | |
| - | J182065.FZ | 65 | 104-124 | 53 | 14 | 12 | 5 | M5 | 5.3 | 9.5 | 25 | 26 | 2.5 | 2.5 | 10 | 10 | 15 | 10 | 10 | 40 | 15 | 12 | 18 | 8 | 30 | 100 | |
| - | J182112.FZ | 112 | 160-175 | 70 | 17 | 14 | 7 | M6 | 7 | 9 | 31 | 30 | 3 | 3 | 17.5 | 16.5 | 19 | 13.5 | 12.5 | 60 | 22 | 13 | 22 | 13 | 38 | 216 | |

Version J182CIN: Stainless steel version (Aisi 304).

INOX

| Code | art. | R | L | L1 | A | B | C | d | d1 | d2 | E | F | h | h2 | I | I2 | I3 | I4 | I5 | M | O | O2 | P | T | S | | |
|------|---------------|-----|---------|------|----|----|-----|----|-----|-----|----|----|-----|-----|----|----|----|-----|-----|----|----|----|----|------|----|-----|--|
| - | J182048.FZCIN | 48 | 66-75 | 42.5 | 11 | 11 | 4.3 | M5 | 5.3 | 7 | 17 | 18 | 2 | 2 | 7 | 7 | 10 | 6.5 | 6.5 | 27 | 11 | 9 | 11 | 11.5 | 20 | 43 | |
| - | J182065.FZCIN | 65 | 104-124 | 53 | 14 | 12 | 5 | M5 | 5.3 | 9.5 | 25 | 26 | 2.5 | 2.5 | 10 | 10 | 15 | 10 | 10 | 40 | 15 | 12 | 18 | 8 | 30 | 100 | |
| - | J182112.FZCIN | 112 | 160-175 | 70 | 17 | 14 | 6.5 | M6 | 7 | 9 | 31 | 30 | 3 | 3 | 18 | 18 | 18 | 60 | 22 | 13 | 22 | 13 | 38 | 216 | - | - | |