

# J131

**NEW**

+135°  
-20°

Zamak

C10

RoHS  
COMPLIANT

## UNIVERSAL QUARTER TURN ZAMAK CAM LOCK, M19 THREAD WITH KNOB AND HOLE FOR PADLOCK

### Materials:

- (1-4) Die-cast zamak lock body M19 (stator), rotor and knob.
- (2) Zamak locking pawl. If pressed, the lock rotates idle. It is possible to insert the bow of a padlock (maximum diameter: 7.5 mm).
- (3) Steel cam (E=0 straight, E=2, 7 formed out, E=-2 formed in).
- (5) Brass hexagon lock nut M19x1.
- (6) Steel locking fork. To be inserted into the special groove to secure the lock to the panel.
- (7) Anti-rotation split washer in black-oxide treated steel.

### Surface finish:

Smooth.

### Colour:

- (1) Chromed.
- (3-4-6) Galvanised.

### Rotation:

**J131-O:**

90° with clockwise closing movement.

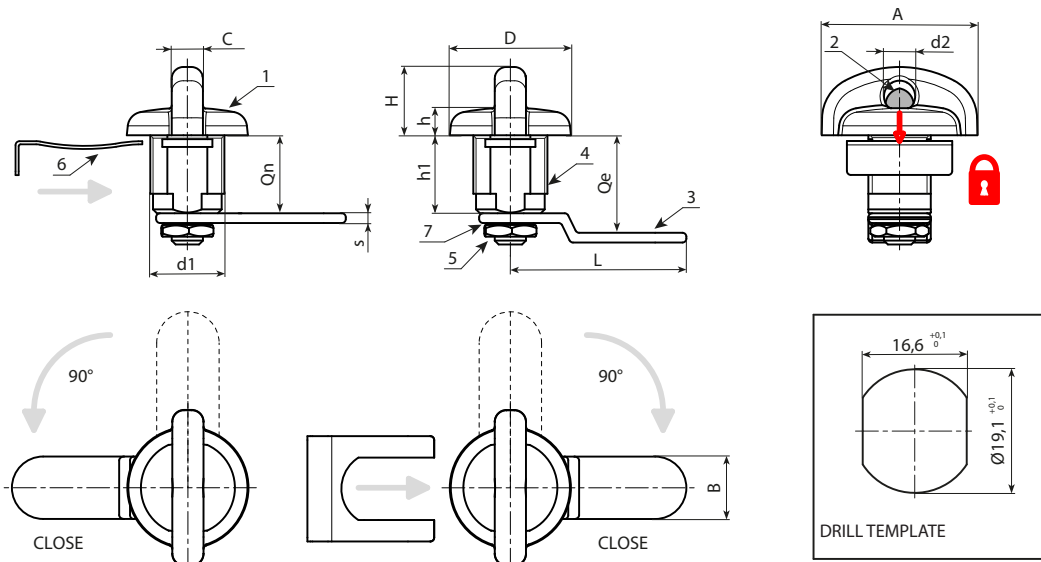
**J131-A:**

90° with counterclockwise closing movement.



### Special Requests:

- Cams available for the locks with E=0:
  - L=30 (J131019.ZN30X200 - J131019.ZN30X20A),
  - L=41 (J131019.ZN41X200 - J131019.ZN41X20A),
- Cams available for the locks with E=2:
  - L=45 (J131019.ZE45X220 - J131019.ZE45X22A),
- Cams available for the locks with E=7:
  - L=41 (J131019.ZE41X270 - J131019.ZE41X27A),



### Version J131-O: with clockwise rotation.

Code	Art.	A	d	d2	D	L1	L	Q	E	F	G	H1	Ht	H	s	s1	g
-	J131019.ZN45X200	8	M19	8	31,5	40	45	20	0	16	20,5	18	29	7	2	2,5	90
-	J131019.ZE41X250	8	M19	8	31,5	40	45	20	5	16	20,5	18	29	7	2	2,5	95

### Version J131-A: with counterclockwise rotation.

Code	Art.	A	d	d2	D	L1	L	Q	E	F	G	H1	Ht	H	s	s1	g
-	J131019.ZN45X20A	8	M19	8	31,5	40	45	20	0	16	20,5	18	29	7	2	2,5	90
-	J131019.ZE41X25A	8	M19	8	31,5	40	45	20	5	16	20,5	18	29	7	2	2,5	95