

J130

UNIVERSAL LOCK WITH KNOB



Materials:

- (1) Die-cast zamak lock body M19 (stator), rotor and knob.
- (2) Elastic washer d. 24x1 with bore d. 19.4.
- (3) Galvanised steel hexagon lock nut M19x1.
- (4) Galvanised steel locking lever. (Qn design N flat - Qe design E bent outwards).
- (5) Conical steel elastic washer d. 12x1.5.
- (6) Galvanised steel Phillips dome head screw M5x8.

Surface finish:

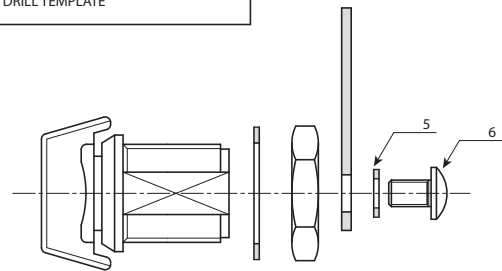
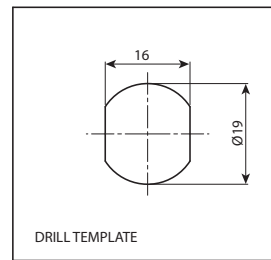
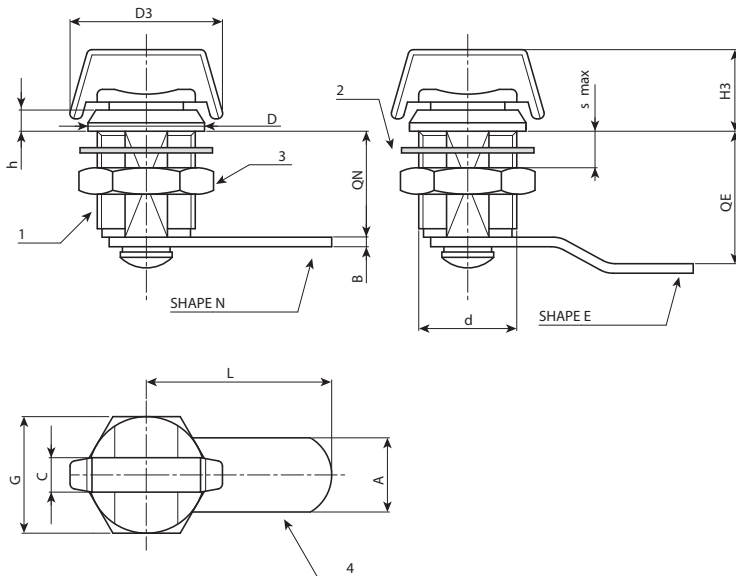
- (1) Nickel-plated.
- (2-5) Black oxide treated.
- (3-4-6) Standard blue galvanising.

Rotation:

90°.

Special Requests:

- None.



Code	Art.	A	d	D	L1	L	Q	E	F	G	H1	Ht	H	s(max.)	s1	
-	J130019.ZN30X20	6.5	M19	22	29,5	30	20	0	14	22	15	31	4	6	2.5	57
-	J130019.ZE30X25	6.5	M19	22	29,5	30	20	5	14	22	15	31	4	6	2.5	60