

J128



UNIVERSELE KWARTSLAGSLUITING SCHROEFDRAAD M22 MET T-HANDGREEP

Materiaal:

- (1) T-handgreep in zamak (zink, aluminium, koper).
- (2) Slotlichaam M22x1,5 (stator) en rotor in gegoten zamak.
- (3) Zeskant-bevestigingsmoer M22x1,5 in gegoten zamak.
- (4) Rubber pakking.
- (5) Stalen sluihendel (E=0 rechte vorm, E=2,4,6,8,10 extern gebogen vorm).
- (6) Bevestigingsschroef M6x10 met stalen kruiskop.

Oppervlak:

- L128-01**
 (1) Gesatineerd.
 (2-3-4-5-6) Glad.
- L128-L**
 Glad.

Kleur:

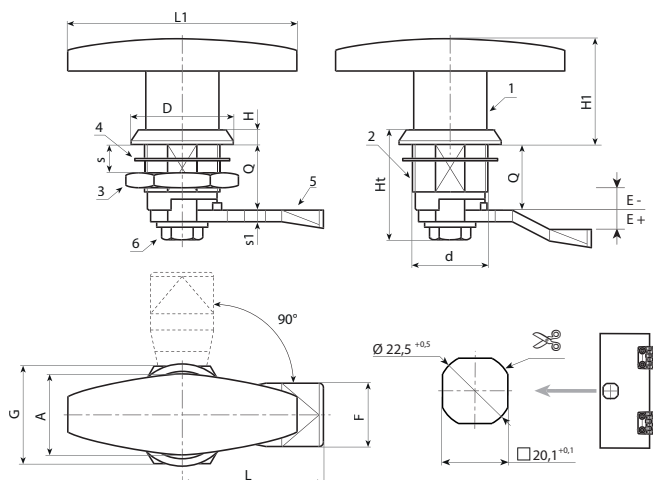
- L128-01**
 (1) Zwarte epoxy poedercoating (RAL 9011).
 (2-3-4-5-6) Standaard verzinkt.
- L128-L**
 (1) Glanzend verchromd.
 (2-3-4-5-6) Standaard verzinkt.



Rotatie: 90°

Speciale verzoeken:

- Op aanvraag en vanaf 50 stuks kan de rotor geleverd worden met hoogte Q= 30 en 36.



Versie J128-01: zwarte coating.

| Code | Art. | d | Q | L1 | L | E | F | D | A | G | H1 | Ht | H | H1 | S(max.) | s1 | g |
|------|--------------------|-----|----|----|----|----|------|----|----|----|----|------|---|----|---------|----|---|
| - | J12822.Z18E-4X4501 | M22 | 18 | 78 | 45 | -4 | 19,5 | 32 | 23 | 27 | 38 | 32,5 | 6 | 38 | 8 | 4 | - |
| - | J12822.Z18E-2X4501 | M22 | 18 | 78 | 45 | -2 | 19,5 | 32 | 23 | 27 | 38 | 32,5 | 6 | 38 | 8 | 4 | - |
| - | J12822.Z18E00X4501 | M22 | 18 | 78 | 45 | 0 | 19,5 | 32 | 23 | 27 | 38 | 32,5 | 6 | 38 | 8 | 4 | - |
| - | J12822.Z18E02X4501 | M22 | 18 | 78 | 45 | 2 | 19,5 | 32 | 23 | 27 | 38 | 32,5 | 6 | 38 | 8 | 4 | - |
| - | J12822.Z18E04X4501 | M22 | 18 | 78 | 45 | 4 | 19,5 | 32 | 23 | 27 | 38 | 32,5 | 6 | 38 | 8 | 4 | - |
| - | J12822.Z18E06X4501 | M22 | 18 | 78 | 46 | 6 | 19,5 | 32 | 23 | 27 | 38 | 32,5 | 6 | 38 | 8 | 4 | - |
| - | J12822.Z18E08X4501 | M22 | 18 | 78 | 45 | 8 | 19,5 | 32 | 23 | 27 | 38 | 32,5 | 6 | 38 | 8 | 4 | - |
| - | J12822.Z18E10X4501 | M22 | 18 | 78 | 45 | 10 | 19,5 | 32 | 23 | 27 | 38 | 32,5 | 6 | 38 | 8 | 4 | - |
| - | J12822.Z18E12X4501 | M22 | 18 | 78 | 45 | 12 | 19,5 | 32 | 23 | 27 | 38 | 32,5 | 6 | 38 | 8 | 4 | - |

Versie J128-L: verchromd.

| Code | Art. | d | Q | L1 | L | E | F | D | A | G | H1 | Ht | H | H1 | S(max.) | s1 | g |
|------|-------------------|-----|----|----|----|----|------|----|----|----|----|------|---|----|---------|----|---|
| - | J12822.Z18E-4X45L | M22 | 18 | 78 | 45 | -4 | 19,5 | 32 | 23 | 27 | 38 | 32,5 | 6 | 38 | 8 | 4 | - |
| - | J12822.Z18E-2X45L | M22 | 18 | 78 | 45 | -2 | 19,5 | 32 | 23 | 27 | 38 | 32,5 | 6 | 38 | 8 | 4 | - |
| - | J12822.Z18E00X45L | M22 | 18 | 78 | 45 | 0 | 19,5 | 32 | 23 | 27 | 38 | 32,5 | 6 | 38 | 8 | 4 | - |
| - | J12822.Z18E02X45L | M22 | 18 | 78 | 45 | 2 | 19,5 | 32 | 23 | 27 | 38 | 32,5 | 6 | 38 | 8 | 4 | - |
| - | J12822.Z18E04X45L | M22 | 18 | 78 | 45 | 4 | 19,5 | 32 | 23 | 27 | 38 | 32,5 | 6 | 38 | 8 | 4 | - |
| - | J12822.Z18E06X45L | M22 | 18 | 78 | 46 | 6 | 19,5 | 32 | 23 | 27 | 38 | 32,5 | 6 | 38 | 8 | 4 | - |
| - | J12822.Z18E08X45L | M22 | 18 | 78 | 45 | 8 | 19,5 | 32 | 23 | 27 | 38 | 32,5 | 6 | 38 | 8 | 4 | - |
| - | J12822.Z18E10X45L | M22 | 18 | 78 | 45 | 10 | 19,5 | 32 | 23 | 27 | 38 | 32,5 | 6 | 38 | 8 | 4 | - |
| - | J12822.Z18E12X45L | M22 | 18 | 78 | 45 | 12 | 19,5 | 32 | 23 | 27 | 38 | 32,5 | 6 | 38 | 8 | 4 | - |