

J128



Zamak

C10



UNIVERSAL QUARTER TURN CAM LOCK, M22 THREAD WITH T-HANDLE

Materials:

- (1) T-handle made in zamak alloy (zinc, aluminium, copper).
- (2) Die-cast zamak lock body M22x1.5 (stator) and rotor.
- (3) Die-cast zamak hexagon lock nut M22x1.5.
- (4) Rubber gasket.
- (5) Steel cam (E=0 straight, E=2,4,6,8,10 formed out).
- (6) Phillips steel fixing screw M6x10.

Surface finish:

L128-01

- (1) Satin.
- (2-3-4-5-6) Smooth.

L128-L

Smooth.

Colour:

L128-01

- (1) Black epoxy powder coated (RAL 9011).
- (2-3-4-5-6) Standard galvanising.

L128-L

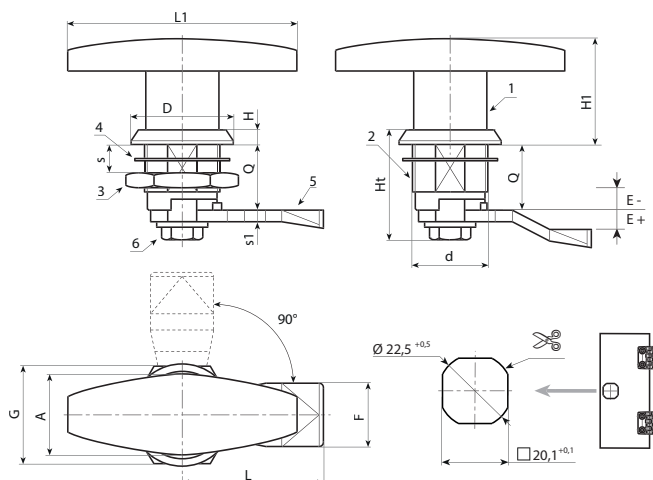
- (1) Bright chrome plating.
- (2-3-4-5-6) Standard galvanising.



Rotation: 90°

Special Requests:

- Upon request and for a minimum of 50 pieces, rotors can be supplied with height Q= 30 and 36.



Version J128-01: black coated.

Code	Art.	d	Q	L1	L	E	F	D	A	G	H1	Ht	H	H1	S(max.)	s1	g
-	J12822.Z18E-4X4501	M22	18	78	45	-4	19,5	32	23	27	38	32,5	6	38	8	4	-
-	J12822.Z18E-2X4501	M22	18	78	45	-2	19,5	32	23	27	38	32,5	6	38	8	4	-
-	J12822.Z18E00X4501	M22	18	78	45	0	19,5	32	23	27	38	32,5	6	38	8	4	-
-	J12822.Z18E02X4501	M22	18	78	45	2	19,5	32	23	27	38	32,5	6	38	8	4	-
-	J12822.Z18E04X4501	M22	18	78	45	4	19,5	32	23	27	38	32,5	6	38	8	4	-
-	J12822.Z18E06X4501	M22	18	78	46	6	19,5	32	23	27	38	32,5	6	38	8	4	-
-	J12822.Z18E08X4501	M22	18	78	45	8	19,5	32	23	27	38	32,5	6	38	8	4	-
-	J12822.Z18E10X4501	M22	18	78	45	10	19,5	32	23	27	38	32,5	6	38	8	4	-
-	J12822.Z18E12X4501	M22	18	78	45	12	19,5	32	23	27	38	32,5	6	38	8	4	-

Version J128-L: chromed.

Code	Art.	d	Q	L1	L	E	F	D	A	G	H1	Ht	H	H1	S(max.)	s1	g
-	J12822.Z18E-4X45L	M22	18	78	45	-4	19,5	32	23	27	38	32,5	6	38	8	4	-
-	J12822.Z18E-2X45L	M22	18	78	45	-2	19,5	32	23	27	38	32,5	6	38	8	4	-
-	J12822.Z18E00X45L	M22	18	78	45	0	19,5	32	23	27	38	32,5	6	38	8	4	-
-	J12822.Z18E02X45L	M22	18	78	45	2	19,5	32	23	27	38	32,5	6	38	8	4	-
-	J12822.Z18E04X45L	M22	18	78	45	4	19,5	32	23	27	38	32,5	6	38	8	4	-
-	J12822.Z18E06X45L	M22	18	78	46	6	19,5	32	23	27	38	32,5	6	38	8	4	-
-	J12822.Z18E08X45L	M22	18	78	45	8	19,5	32	23	27	38	32,5	6	38	8	4	-
-	J12822.Z18E10X45L	M22	18	78	45	10	19,5	32	23	27	38	32,5	6	38	8	4	-
-	J12822.Z18E12X45L	M22	18	78	45	12	19,5	32	23	27	38	32,5	6	38	8	4	-