

UNIVERSAL QUARTER TURN PLASTIC CAM LOCK WITH QUICK INSTALL AND WING PIN SOCKET KEY

Materials:

- (1) 20mm body with deformable fixing ribs, for snap fitting in sheet metal push tabs. Reinforced polyamide PA6.6. Resistant to oils and greases.
- (2) Groove shaped for wing pin key, in reinforced PA6.6 polyamide.
- (3) Steel cam, (E=0 straight, E=2,4,6,8,10 formed out, E=-2 formed in).
- (4) Self-tapping Phillips steel fixing screw 4.2x10.

Surface finish:

- (1-2) Satin.
- (3-4) Smooth.

Colour:

- (1-2) Black (RAL 9011).
- (3-4) Galvanising standard.

Key (optional):

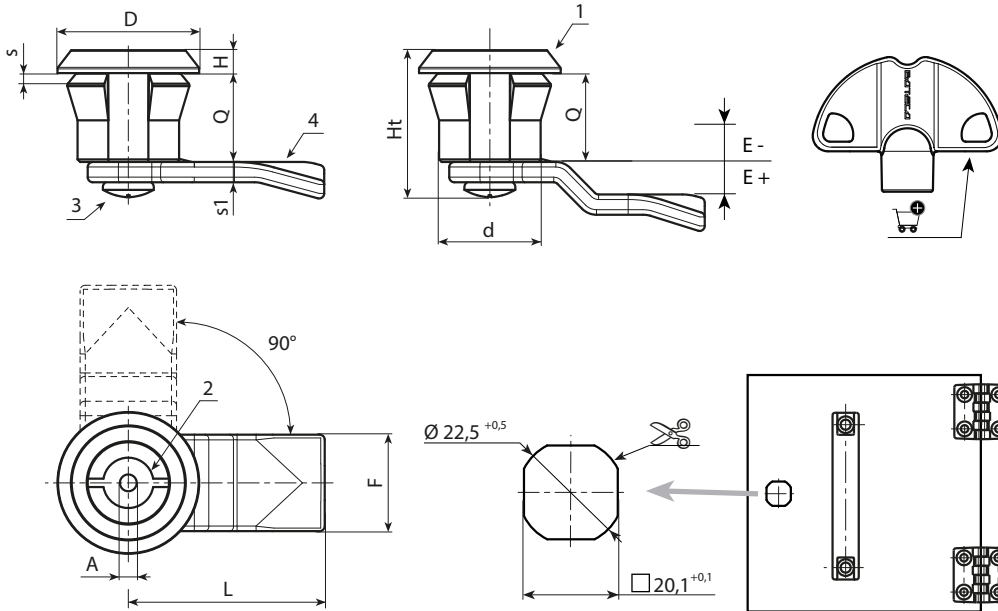
Red polyamide key (PA6), art. J090.
ATTENTION: The key is not supplied. To be ordered separately. [page 319].

Rotation:

90°.

Special Requests:

- Upon request the key can be supplied with the lock. Add letter C at the end of the main code.



Code	Art.	A	d	D	L	Q	E	F	Ht	H	S(max.)	s1	🔑	Key
-	J12220.T03E0-4X4501	3	20	28	45	18	-4	19	30	4	1-2	4	-	J090050.TP0316
-	J12220.T03E-2X4501	3	20	28	45	18	-2	19	30	4	1-2	4	-	J090050.TP0316
-	J12220.T03E00X4501	3	20	28	45	18	0	19	30	4	1-2	4	-	J090050.TP0316
-	J12220.T03E02X4501	3	20	28	45	18	2	19	30	4	1-2	4	-	J090050.TP0316
-	J12220.T03E04X4501	3	20	28	45	18	4	19	30	4	1-2	4	-	J090050.TP0316
-	J12220.T03E06X4501	3	20	28	45	18	6	19	30	4	1-2	4	-	J090050.TP0316
-	J12220.T03E08X4501	3	20	28	45	18	8	19	30	4	1-2	4	-	J090050.TP0316
-	J12220.T03E10X4501	3	20	28	45	18	10	19	30	4	1-2	4	-	J090050.TP0316
-	J12220.T03E12X4501	3	20	28	45	18	12	19	30	4	1-2	4	-	J090050.TP0316