

J121

NEW

+80°
-20°

C10

UL94
HB

RoHS
COMPLIANT

UNIVERSAL QUARTER TURN PLASTIC CAM LOCK WITH QUICK INSTALL AND WITH SLOTTED HEAD

Materials:

- (1) 20mm body with deformable fixing ribs, for snap fitting in sheet metal push tabs. Reinforced polyamide PA6.6. Resistant to oils and greases.
- (2) Groove with slotted head, in reinforced PA6.6 polyamide.
- (3) Steel cam, (E=0 straight, E=2,4,6,8,10 formed out, E=-2 formed in).
- (4) Self-tapping Phillips steel fixing screw 4.2x10.

Surface finish:

- (1-2) Satin.
- (3-4) Smooth.

Colour:

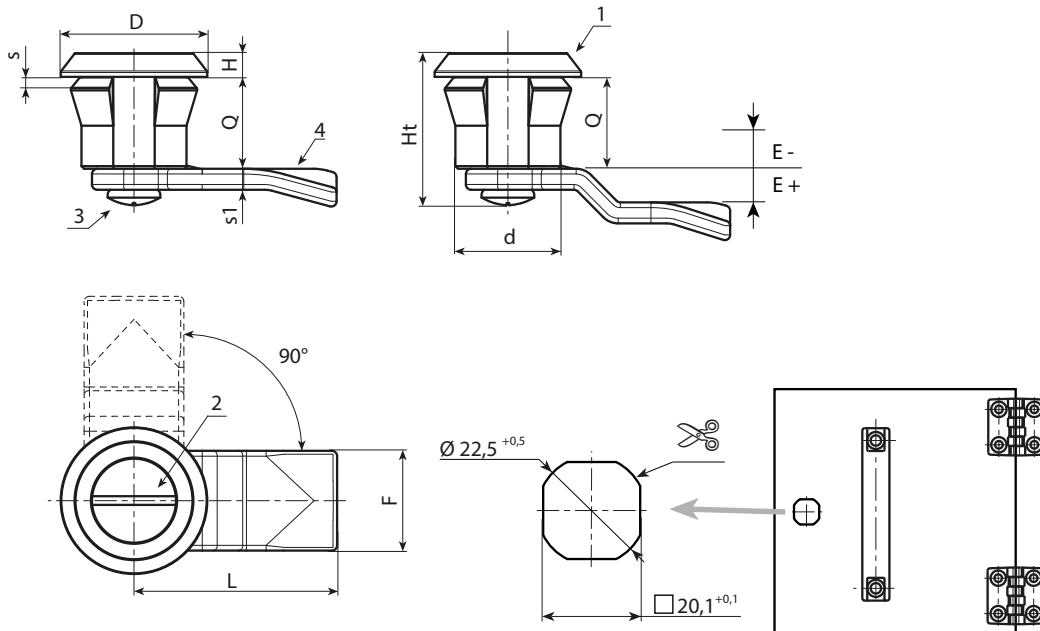
- (1-2) Black (RAL 9011).
- (3-4) Galvanising standard.

Rotation:

90°.

Special Requests:

- None.



Code	Art.	d	D	L	Q	E	F	Ht	H	s(max.)	s1	
-	J12120.T00E-4X4501	20	28	45	18	-4	19	30	4	1-2	4	-
-	J12120.T00E-2X4501	20	28	45	18	-2	19	30	4	1-2	4	-
-	J12120.T00E00X4501	20	28	45	18	0	19	30	4	1-2	4	-
-	J12120.T00E02X4501	20	28	45	18	2	19	30	4	1-2	4	-
-	J12120.T00E04X4501	20	28	45	18	4	19	30	4	1-2	4	-
-	J12120.T00E06X4501	20	28	45	18	6	19	30	4	1-2	4	-
-	J12120.T00E08X4501	20	28	45	18	8	19	30	4	1-2	4	-
-	J12120.T00E10X4501	20	28	45	18	10	19	30	4	1-2	4	-
-	J12120.T00E12X4501	20	28	45	18	12	19	30	4	1-2	4	-