

UNIVERSAL QUARTER TURN ZAMAK CAM LOCK M22 THREAD WITH SLOTTED HEAD

Materials:

- (1) Die-cast zamak body M22x1.5 (stator).
- (2) Slotted die-cast zamak groove.
- (3) Die-cast zamak hexagon lock nut M22x1.5.
- (4) Rubber gasket.
- (5) Steel cam (E=0 straight, E=2,4,6,8,10 formed out, E=-2 formed in).
- (6) Phillips steel fixing screw M6x10.

Surface finish:

L117-01

- (1) Satin.
- (2-3-4-5-6) Smooth.

L117-L

Smooth.

Colour:

L117-01

- (1) Black epoxy powder coated (RAL 9011).
- (2-3-4-5-6) Standard galvanising.

L117-L

- (1) Bright chrome plating.
- (2-3-4-5-6) Standard galvanising.

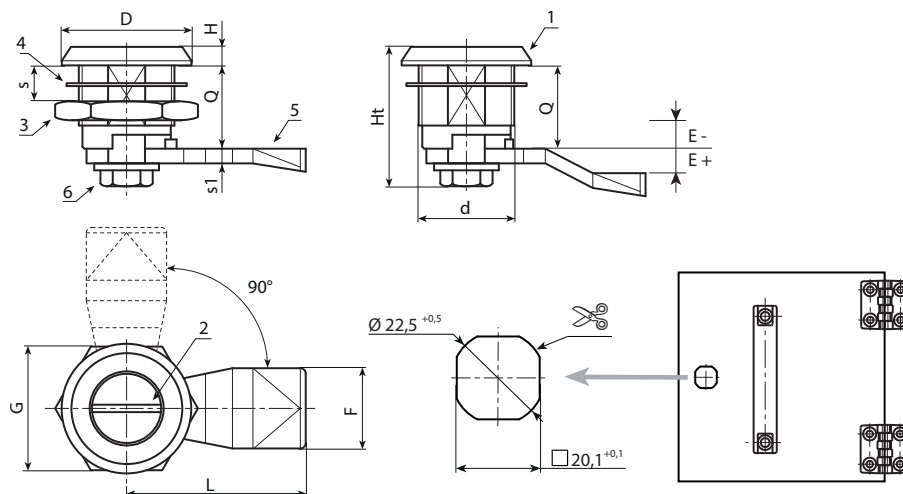


Rotation:

90°.

Special Requests:

- None.



Version J117-01: black coated.

Code	Art.	d	D	L	Q	E	F	G	Ht	H	S(max.)	s1	g
-	J11722.Z00E-4X4501	M22	28	45	18	-4	19	27	31,5	4	8	4	-
-	J11722.Z00E-2X4501	M22	28	45	18	-2	19	27	31,5	4	8	4	-
-	J11722.Z00E00X4501	M22	28	45	18	0	19	27	31,5	4	8	4	-
-	J11722.Z00E02X4501	M22	28	45	18	2	19	27	31,5	4	8	4	-
-	J11722.Z00E04X4501	M22	28	45	18	4	19	27	31,5	4	8	4	-
-	J11722.Z00E06X4501	M22	28	45	18	6	19	27	31,5	4	8	4	-
-	J11722.Z00E08X4501	M22	28	45	18	8	19	27	31,5	4	8	4	-
-	J11722.Z00E10X4501	M22	28	45	18	10	19	27	31,5	4	8	4	-
-	J11722.Z00E12X4501	M22	28	45	18	12	19	27	31,5	4	8	4	-

Version J117-L: chromed.

Code	Art.	d	D	L	Q	E	F	G	Ht	H	S(max.)	s1	g
-	J11722.Z00E-4X45L	M22	28	45	18	-4	19	27	31,5	4	8	4	-
-	J11722.Z00E-2X45L	M22	28	45	18	-2	19	27	31,5	4	8	4	-
-	J11722.Z00E00X45L	M22	28	45	18	0	19	27	31,5	4	8	4	-
-	J11722.Z00E02X45L	M22	28	45	18	2	19	27	31,5	4	8	4	-
-	J11722.Z00E04X45L	M22	28	45	18	4	19	27	31,5	4	8	4	-
-	J11722.Z00E06X45L	M22	28	45	18	6	19	27	31,5	4	8	4	-
-	J11722.Z00E08X45L	M22	28	45	18	8	19	27	31,5	4	8	4	-
-	J11722.Z00E10X45L	M22	28	45	18	10	19	27	31,5	4	8	4	-