

## UNIVERSAL QUARTER TURN ZAMAK CAM LOCK M22 THREAD WITH SQUARE SOCKET KEY

### Materials:

- (1) Die-cast zamak body M22x1.5 (stator).
- (2) Square shaped die-cast zamak groove.
- (3) Die-cast zamak hexagon lock nut M22x1,5.
- (4) Rubber gasket.
- (5) Steel cam (E=0 straight, E=2,4,6,8,10 formed out, E=-2 formed in).
- (6) Phillips steel fixing screw M6x10.

### Surface finish:

#### L116-01

- (1) Satin.
- (2-3-4-5-6) Smooth.

#### L116-L

Smooth.

### Colour:

#### L116-01

- (1) Black epoxy powder coated (RAL 9011).
- (2-3-4-5-6) Standard galvanising.

#### L116-L

- (1) Bright chrome plating.
- (2-3-4-5-6) Standard galvanising.

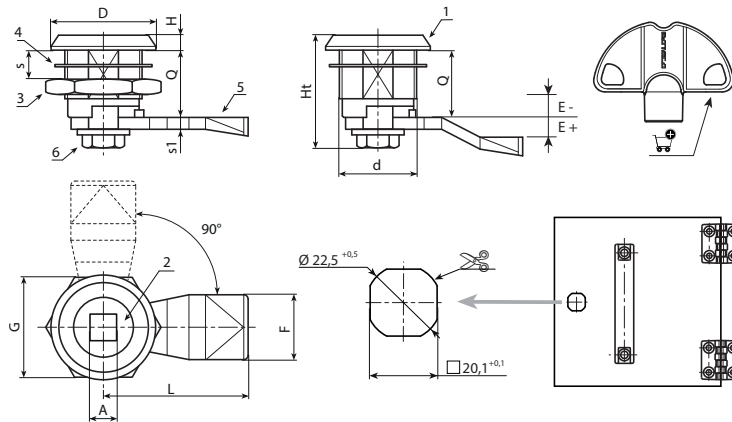
### Key (optional):

Red polyamide key (PA6), art. J090.  
ATTENTION: The key is not supplied. To be ordered separately. [page 319].

### Rotation: 90°

### Special Requests:

- Upon request the key can be supplied with the lock. Add letter C at the end of the main code.



### Version J116-01: black coated.

| Code | Art.               | A | d   | D  | L  | Q  | E  | F  | G  | Ht   | H | S(max.) | s1 | 🔑 | Key                |
|------|--------------------|---|-----|----|----|----|----|----|----|------|---|---------|----|---|--------------------|
| -    | J11622.Z08E-4X4501 | 8 | M22 | 28 | 45 | 18 | -4 | 19 | 27 | 31,5 | 4 | 8       | 4  | - | J090050.<br>TQ0816 |
| -    | J11622.Z08E-2X4501 | 8 | M22 | 28 | 45 | 18 | -2 | 19 | 27 | 31,5 | 4 | 8       | 4  | - | J090050.<br>TQ0816 |
| -    | J11622.Z08E00X4501 | 8 | M22 | 28 | 45 | 18 | 0  | 19 | 27 | 31,5 | 4 | 8       | 4  | - | J090050.<br>TQ0816 |
| -    | J11622.Z08E02X4501 | 8 | M22 | 28 | 45 | 18 | 2  | 19 | 27 | 31,5 | 4 | 8       | 4  | - | J090050.<br>TQ0816 |
| -    | J11622.Z08E04X4501 | 8 | M22 | 28 | 45 | 18 | 4  | 19 | 27 | 31,5 | 4 | 8       | 4  | - | J090050.<br>TQ0816 |
| -    | J11622.Z08E06X4501 | 8 | M22 | 28 | 45 | 18 | 6  | 19 | 27 | 31,5 | 4 | 8       | 4  | - | J090050.<br>TQ0816 |
| -    | J11622.Z08E08X4501 | 8 | M22 | 28 | 45 | 18 | 8  | 19 | 27 | 31,5 | 4 | 8       | 4  | - | J090050.<br>TQ0816 |
| -    | J11622.Z08E10X4501 | 8 | M22 | 28 | 45 | 18 | 10 | 19 | 27 | 31,5 | 4 | 8       | 4  | - | J090050.<br>TQ0816 |
| -    | J11622.Z08E12X4501 | 8 | M22 | 28 | 45 | 18 | 12 | 19 | 27 | 31,5 | 4 | 8       | 4  | - | J090050.<br>TQ0816 |

### Version J116-L: chromed.