

I500

PUSH-FIT CONICAL KNOB WITH HOLE



Materials:

Reinforced polyamide.
Resistant to oils and greases.

Surface finish:

Satin.

Colour:

Black (RAL 9011).

Hole:

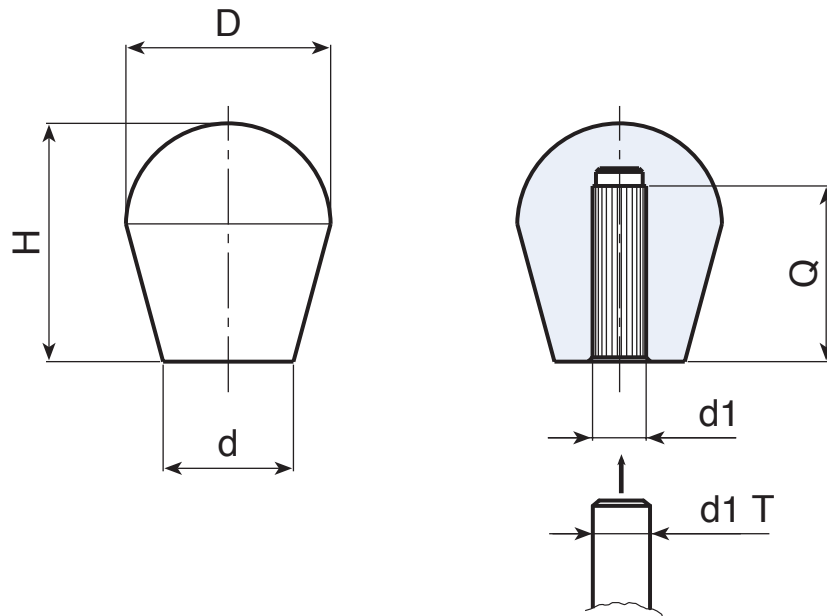
Blind smooth bore, with deformable fixing ribs, obtained by moulding the plastic.

Fixing method:

Push-fit.

Special requests:

- Upon request and for special quantities available in the colours indicated in the chart [page].



Code	art.	D	H	d	d1 T	d1	Q	g
I50022.0001	I50022.TG0501	22	26	12	+0 -0,048	5	18	9
I50022.0002	I50022.TG0601	22	26	12	+0 -0,048	6	18	8,5
I50022.0003	I50022.TG0801	22	26	12	+0 -0,058	8	18	8
I50030.0001	I50030.TG1001	27	32	18	+0 -0,058	10	23	11
I50030.0002	I50030.TG1201	27	32	18	+0 -0,070	12	22	11
I50030.0003	I50030.TG1401	27	32	18	+0 -0,070	14	20	10
I50032.0001	I50032.TG0601	32	37	19,5	+0 -0,048	6	25	23
I50032.0002	I50032.TG0801	32	37	19,5	+0 -0,058	8	25	23
I50032.0003	I50032.TG1001	32	37	19,5	+0 -0,058	10	25	22
I50032.0004	I50032.TG1201	32	37	19,5	+0 -0,070	12	25	21
I50032.0005	I50032.TG1401	32	37	19,5	+0 -0,070	14	25	20
I50037.0001	I50037.TG1201	37	43	24	+0 -0,070	12	30	35
I50037.0002	I50037.TG1601	37	43	24	+0 -0,070	16	30	33
I50037.0003	I50037.TG1801	37	43	24	+0 -0,070	18	30	31