

# I117



## MUSHROOM KNOB WITH THREADED INSERT

### Materials:

Reinforced polyamide.  
Resistant to oils and greases.

### Surface finish:

Satin.

### Colour:

Black (RAL 9011).

### Inserts:

#### I117:

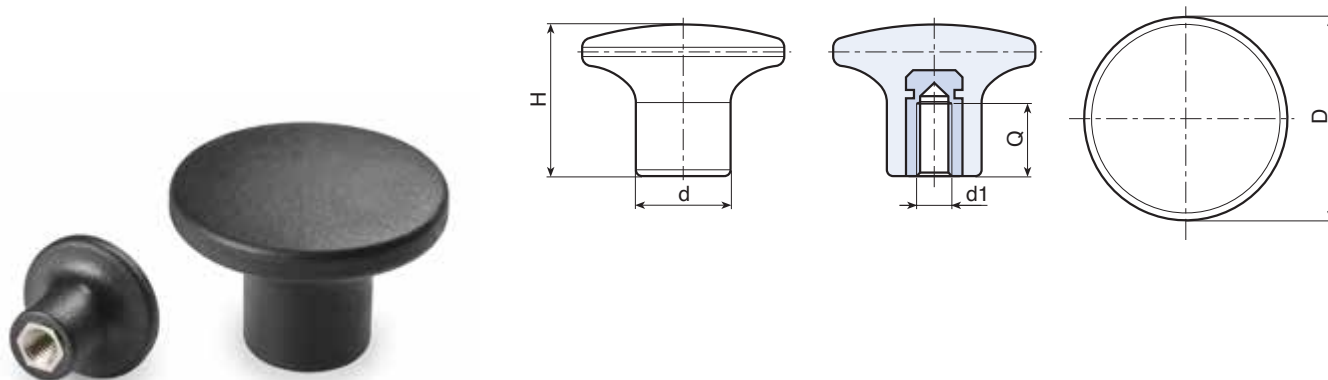
Brass insert with female threaded hole (thread tolerance 6H).

#### I117CIN:

Stainless steel insert with female threaded hole (Aisi 303) (thread tolerance 6H).

### Special requests:

- Upon request and for special quantities inserts can be supplied in different materials.
- Upon request and for special quantities available in the colours indicated in the chart [page].



### Version I117: with brass insert.

Code	art.	D	H	d	d1 <sub>6H</sub>	Q	g
I11722.0001	I11722.TM0401	22	17	11	M4	9.5	6
I11722.0002	I11722.TM0501	22	17	11	M5	8	6
I11722.0003	I11722.TM0601	22	17	11	M6	8	6
I11726.0001	I11726.TM0501	26	20.5	13	M5	15.5	9
I11726.0003	I11726.TM0601	26	20.5	13	M6	13	9
I11726.0007	I11726.TM0801	26	20.5	13	M8	13	10
I11732.0001	I11732.TM0501	32	24	15	M5	8	12
I11732.0003	I11732.TM0601	32	24	15	M6	8	12
I11732.0006	I11732.TM0801	32	24	15	M8	13	14
I11745.0001	I11745.TM0801	45	32	21	M8	13	32
I11745.0002	I11745.TM1001	45	32	21	M10	13	33
I11745.0007	I11745.TM1201	45	32	21	M12	17	34

### Version I117CIN: with stainless steel insert (Aisi 303).

INOX

Code	art.	D	H	d	d1 <sub>6H</sub>	Q	g
I11722.0010	I11722.TM0501CIN	22	17	11	M5	9	8
I11722.0004	I11722.TM0601CIN	22	17	11	M6	9	9
I11726.0002	I11726.TM0501CIN	26	20.5	13	M5	9	10
I11726.0004	I11726.TM0601CIN	26	20.5	13	M6	9	11
I11726.0008	I11726.TM0801CIN	26	20.5	13	M8	13	12
I11732.0004	I11732.TM0601CIN	32	24	15	M6	14	16
I11732.0007	I11732.TM0801CIN	32	24	15	M8	13	18
I11745.0003	I11745.TM1001CIN	45	32	21	M10	16	35
I11745.0008	I11745.TM1201CIN	45	32	21	M12	15	39