

I105

BALL KNOB WITH THREADED HOLE INSERT



Materials:

Reinforced polyamide.
Resistant to oils and greases.

Surface finish:

Satin.

Colour:

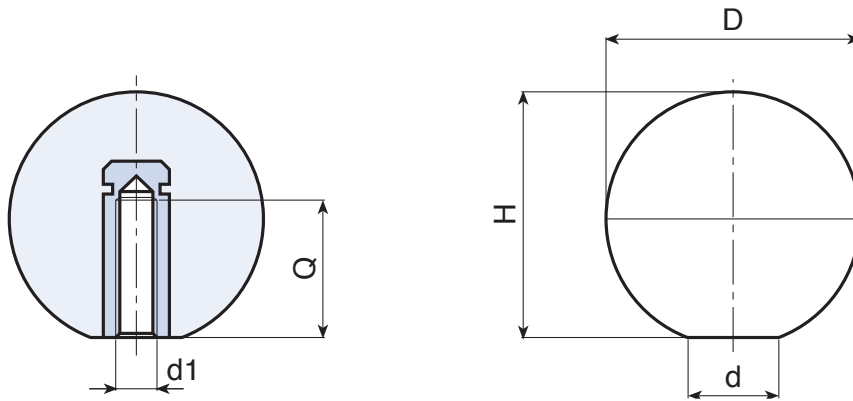
Black (RAL 9011).

Inserts:

Brass insert with female threaded hole (thread tolerance 6H).

Special requests:

- Upon request and for special quantities inserts can be supplied in different materials.
- Upon request and for special quantities available in the colours indicated in the chart (ATTENTION: reduced range for measures marked (*)) [page].



Code	art.	D	H	d	d1 _{6H}	Q	
I10515.001	I10515.TM0401	15	14	8	M4	8	4
I10515.002	I10515.TM0501	15	14	8	M5	7	4
I10520.001	I10520.TM0401	20	19	10	M4	8	8
I10520.002	I10520.TM0501	20	19	10	M5	7	8
I10520.003	I10520.TM0601	20	19	10	M6	7	8
I10520.008	I10520.TM0801	20	19	10	M8	7	8
I10525.0003	I10525.TM0501	25	23	14	M5	10	12
I10525.0004	I10525.TM0601	25	23	14	M6	10	12
I10525.0008	I10525.TM0801	25	23	14	M8	11	14
I10525.0009	I10525.TM1001	25	23	14	M10	14	12
I10530.0002	I10530.TM0501	30	29	14	M5	15	22
I10530.0003	I10530.TM0601	30	29	14	M6	16	22
I10530.0006	I10530.TM0801	30	29	14	M8	14	22
I10530.0009	I10530.TM1001	30	29	14	M10	14	22
I10530.0010	I10530.TM1201	30	29	14	M12	18	26
I10535.0002	I10535.TM0601	35	33	16	(*)M6	16	34
I10535.0003	I10535.TM0801	35	33	16	(*)M8	14	34
I10535.0004	I10535.TM1001	35	33	16	(*)M10	14	34
I10535.0006	I10535.TM1201	35	33	16	(*)M12	18	32
I10540.0003	I10540.TM0801	40	39	16	(*)M8	14	52
I10540.0004	I10540.TM1001	40	39	16	(*)M10	14	52
I10540.0008	I10540.TM1201	40	39	16	(*)M12	18	52
I10540.0009	I10540.TM1401	40	39	16	(*)M14	19	50
I10545.0001	I10545.TM0801	45	44	18	(*)M8	14	60
I10545.0002	I10545.TM1001	45	44	18	(*)M10	18	60
I10545.0003	I10545.TM1201	45	44	18	(*)M12	18	58
I10545.0005	I10545.TM1401	45	44	18	(*)M14	19	56
I10550.0001	I10550.TM1001	50	49	18	(*)M10	18	94
I10550.0003	I10550.TM1201	50	49	18	(*)M12	18	92
I10550.0004	I10550.TM1401	50	49	18	(*)M14	19	90