

# I104



## PUSH-FIT BALL KNOB WITH HOLE

### Materials:

Reinforced polyamide.  
Resistant to oils and greases.

### Surface finish:

Satin.

### Colour:

Black (RAL 9011).

### Hole:

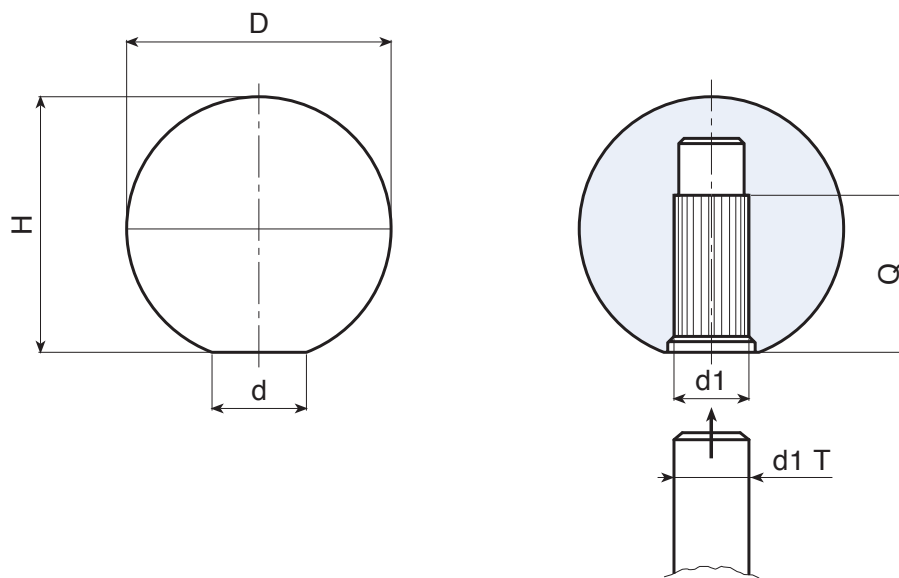
Blind smooth bore, with deformable fixing ribs, obtained by moulding the plastic.

### Fixing method:

Push-fit.

### Special requests:

- Upon request and for special quantities available in the colours indicated in the chart (ATTENTION: reduced range for measures marked (\*)) [page ].



Code	art.	D	H	d	d1 T	d1	Q	
I10420.0001	I10420.TG0501	20	19	10	+0 -0,048	5	12	4
I10420.0002	I10420.TG0601	20	19	10	+0 -0,048	6	12	4
I10425.0001	I10425.TG0601	25	23	14	+0 -0,048	6	16	10
I10425.0002	I10425.TG0801	25	23	14	+0 -0,058	8	16	10
I10430.0001	I10430.TG0801	30	29	14	+0 -0,058	8	17	16
I10430.0003	I10430.TG1001	30	29	14	+0 -0,058	10	17	16
I10435.0001	I10435.TG0801	35	33	16	+0 -0,058	(*)08	20	26
I10435.0002	I10435.TG1001	35	33	16	+0 -0,058	(*)10	20	26
I10440.0002	I10440.TG1001	40	39	16	+0 -0,058	(*)10	25	42
I10440.0005	I10440.TG1201	40	39	16	+0 -0,070	(*)12	25	38
I10445.0001	I10445.TG1001	45	44	18	+0 -0,058	(*)10	25	58
I10445.0002	I10445.TG1201	45	44	18	+0 -0,070	(*)12	25	58
I10445.0003	I10445.TG1401	45	44	18	+0 -0,070	(*)14	25	56
I10450.0001	I10450.TG1001	50	49	18	+0 -0,058	(*)10	25	80
I10450.0003	I10450.TG1201	50	49	18	+0 -0,070	(*)12	25	78
I10450.0004	I10450.TG1401	50	49	18	+0 -0,070	(*)14	25	76