

# I103

## BALL KNOB WITH PLASTIC THREADED HOLE



### Materials:

Reinforced polyamide.  
Resistant to oils and greases.

### Surface finish:

Satin.

### Colour:

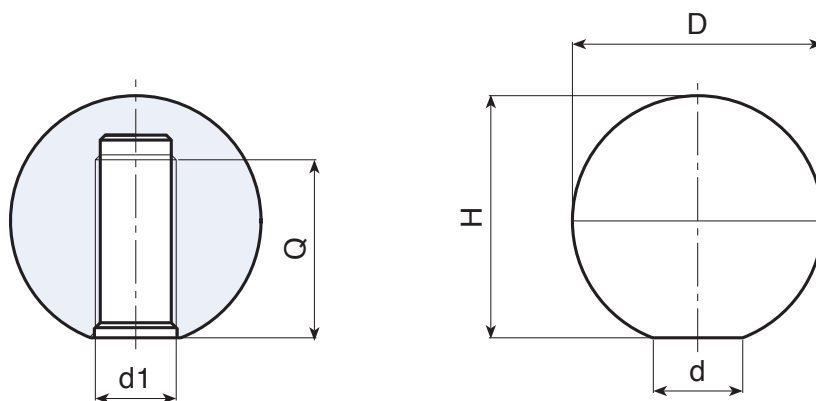
Black (RAL 9011).

### Hole:

Female threaded hole obtained by moulding the plastic (thread tolerance not applicable).

### Special requests:

- Upon request and for special quantities available in the colours indicated in the chart (ATTENTION: reduced range for measures marked (\*)) [page].



Code	art.	D	H	d	d1	Q	g
I10315.0001	I10315.TM0401	15	14	9	M4	10	2
I10315.0003	I10315.TM0501	15	14	9	M5	10	2
I10320.0001	I10320.TM0401	20	19	10	M4	14	6
I10320.0002	I10320.TM0501	20	19	10	M5	14	6
I10320.0004	I10320.TM0601	20	19	10	M6	14	6
I10320.0009	I10320.TM0801	20	19	10	M8	14	6
I10325.0001	I10325.TM0501	25	23	14	M5	18	10
I10325.0002	I10325.TM0601	25	23	14	M6	18	10
I10325.0009	I10325.TM0801	25	23	14	M8	18	10
I10325.0012	I10325.TM1001	25	23	14	M10	18	8
I10330.0001	I10330.TM0501	30	29	14	M5	22	18
I10330.0002	I10330.TM0601	30	29	14	M6	22	18
I10330.0007	I10330.TM0801	30	29	14	M8	22	16
I10330.0014	I10330.TM1001	30	29	14	M10	22	16
I10330.0020	I10330.TM1201	30	29	14	M12	22	14
I10335.0001	I10335.TM0601	35	33	16	(*)M6	25	28
I10335.0004	I10335.TM0801	35	33	16	(*)M8	25	26
I10335.0007	I10335.TM1001	35	33	16	(*)M10	25	26
I10335.0010	I10335.TM1201	35	33	16	(*)M12	18	32
I10340.0001	I10340.TM0801	40	39	16	(*)M8	25	42
I10340.0007	I10340.TM1001	40	39	16	(*)M10	25	36
I10340.0011	I10340.TM1201	40	39	16	(*)M12	25	36
I10340.0015	I10340.TM1401	40	39	16	(*)M14	25	34
I10345.0001	I10345.TM0801	45	44	18	(*)M8	25	60
I10345.0002	I10345.TM1001	45	44	18	(*)M10	25	58
I10345.0003	I10345.TM1201	45	44	18	(*)M12	25	58
I10345.0004	I10345.TM1401	45	44	18	(*)M14	25	56
I10350.0003	I10350.TM1001	50	49	18	(*)M10	25	80
I10350.0004	I10350.TM1201	50	49	18	(*)M12	25	78
I10350.0007	I10350.TM1401	50	49	18	(*)M14	25	76
I10350.0008	I10350.TM1601	50	49	18	(*)M16	25	73