

I101



BAKELITE BALL KNOB WITH THREADED HOLE INSERT

Materials:

Phenolic resin.
Resistant to oils and greases.
Resistant to high temperatures.

Surface finish:

Glossy.

Colour:

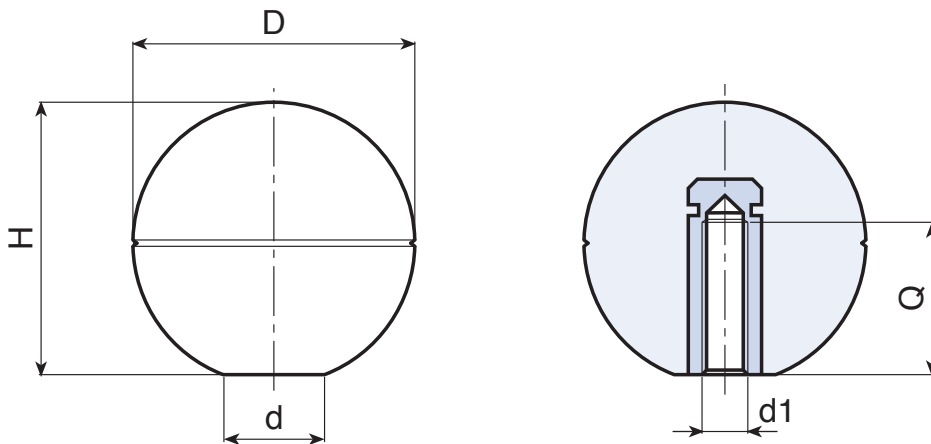
Black (RAL 9011).

Inserts:

Brass insert with female threaded hole (thread tolerance 6H).

Special requests:

- None.



Code	art.	D	H	d	d1 _{6H}	Q	
I10118.0001	I10118.BM0401	18	17	8,5	M4	8	6
I10118.0002	I10118.BM0501	18	17	8,5	M5	8	6
I10118.0003	I10118.BM0601	18	17	8,5	M4	9	6
I10126.0001	I10126.BM0601	26	24	12	M6	13	15
I10126.0002	I10126.BM0801	26	24	12	M8	13,5	14
I10130.0001	I10130.BM1001	30	28	15	M10	15	25
I10135.0001	I10135.BM0801	35	32	14	M8	13,5	34
I10135.0002	I10135.BM1001	35	32	14	M10	15	33
I10140.0001	I10140.BM1001	40	37	21	M10	15	61
I10140.0002	I10140.BM1201	40	37	21	M12	18	62