

H771

KNURLED KNOB WITH THREADED STUD



Materials:

Reinforced polyamide.
Resistant to oils and greases.

Surface finish:

Satin.

Colour:

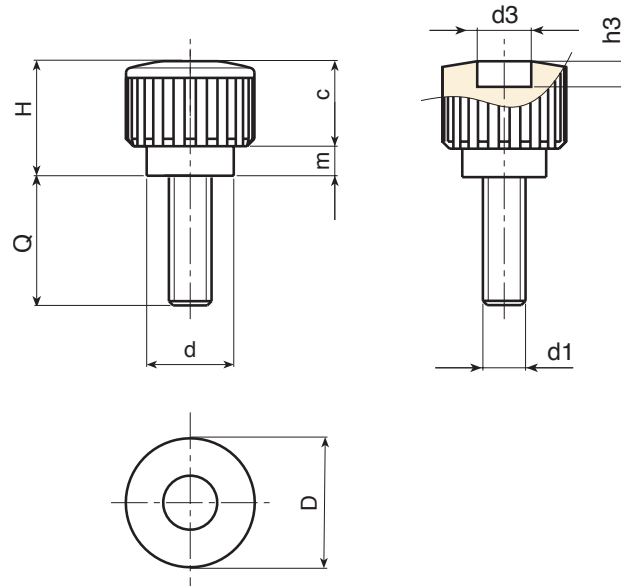
Black (RAL 9011).

Inserts:

Galvanised steel threaded stud (thread tolerance 6g).

Special Requests:

- Upon request and for special quantities inserts can be supplied with customised lengths.
- Upon request and for special quantities inserts can be supplied in different materials.
- Upon request and for special quantities available in the colours indicated in the chart [page].



Code	art.	D	H	d	m	c	d3	h3	LM	d1 _{6g}	Q	
-	H18015.BM0501	17.5	17.5	12	4	13.5	9	5	50	M4	10	6
-	H18015.BM0501	17.5	17.5	12	4	13.5	9	5	50	M4	16	6,5
-	H18015.BM0501	17.5	17.5	12	4	13.5	9	5	50	M4	30	8
-	H18015.BM0501	17.5	17.5	12	4	13.5	9	5	60	M5	10	6,5
-	H18015.BM0501	17.5	17.5	12	4	13.5	9	5	60	M5	16	7
-	H18015.BM0501	17.5	17.5	12	4	13.5	9	5	60	M5	20	8
-	H18015.BM0501	17.5	17.5	12	4	13.5	9	5	60	M6	16	8,5
-	H18015.BM0501	17.5	17.5	12	4	13.5	9	5	60	M6	20	9

LM = maximum mouldable length.

Threaded stud length on request, with a minimum quantity of 250 pieces.