

H767



KNURLED HOLLOW HANDWHEEL WITH FEMALE THREADED INSERT

Materials:

Reinforced polyamide.
Resistant to oils and greases.

Surface finish:

Satin.

Colour:

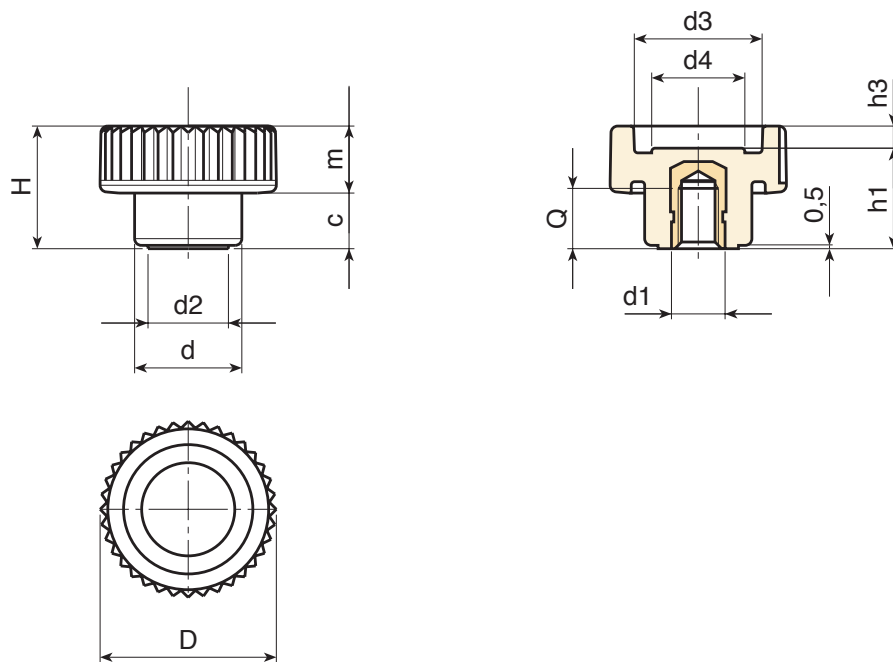
Black (RAL 9011).

Inserts:

Brass insert with female threaded hole (thread tolerance 6H).

Special Requests:

- Upon request and for special quantities inserts can be supplied in different materials.
- Upon request and for special quantities available in the colours indicated in the chart [page].



Code	art.	D	H	d	m	c	d2	d3	d4	h1	h3	d1 _{6H}	Q	
-	H18015.BM0501	21	15	13	6.5	8.5	9.5	15	10.5	12.5	2.5	M5	7	5.5
-	H18015.BM0501	21	15	13	6.5	8.5	9.5	15	10.5	12.5	2.5	M6	7	6
-	H18015.BM0501	26	18	16	8.5	9.5	12	19	13	15	3	M6	9	8
-	H18015.BM0501	26	18	16	8.5	9.5	12	19	13	15	3	M8	8	8.5
-	H18015.BM0501	32	23	20	10.5	12.5	15	23	16	18	5	M8	11	15.5
-	H18015.BM0501	32	23	20	10.5	12.5	15	23	16	18	5	M10	10	16
-	H18015.BM0501	40	28	25	12.5	15.5	18	28	21	22	6	M8	14	27
-	H18015.BM0501	40	28	25	12.5	15.5	18	28	21	22	6	M10	14	28
-	H18015.BM0501	40	28	25	12.5	15.5	18	28	21	22	6	M12	12	29