

# H759



## KNURLED HANDWHEEL WITH HUB AND THREADED STUD

### Materials:

Reinforced polyamide.  
Resistant to oils and greases.

### Surface finish:

Satin.

### Colour:

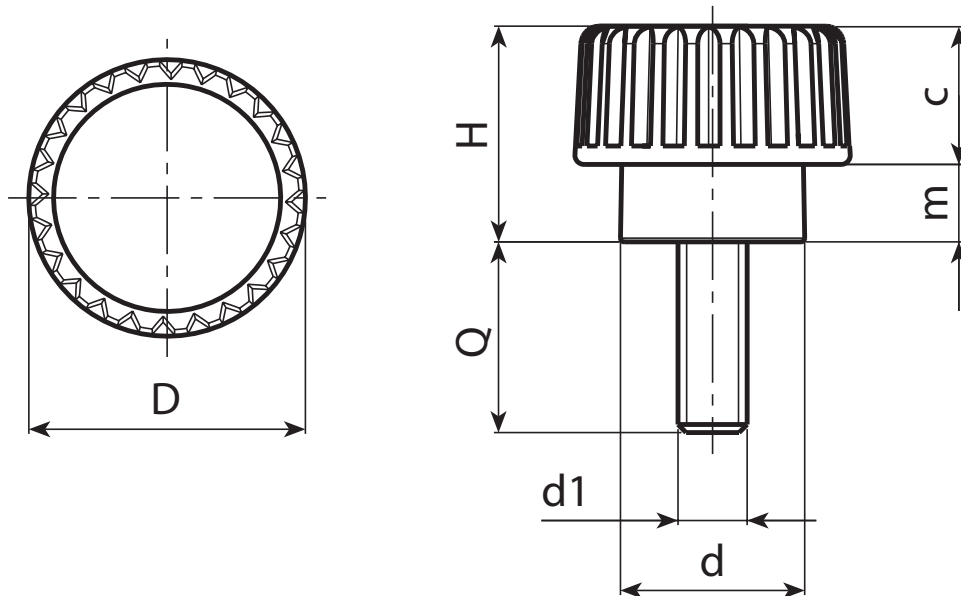
Black (RAL 9011).

### Inserts:

Galvanised steel threaded stud (thread tolerance 6g).

### Special Requests:

- Upon request and for special quantities inserts can be supplied with customised lengths.
- Upon request and for special quantities inserts can be supplied in different materials.
- Upon request and for special quantities available in the colours indicated in the chart [page].



Code	art.	D	H	d	m	c	LM	d1 <sub>6g</sub>	Q	
-	H18015.BM0501	15	12	10	4.5	7.5	70	M3	11	3
-	H18015.BM0501	15	12	10	4.5	7.5	70	M3	24	3,5
-	H18015.BM0501	15	12	10	4.5	7.5	70	M4	10	3,5
-	H18015.BM0501	15	12	10	4.5	7.5	70	M4	20	4
-	H18015.BM0501	15	12	10	4.5	7.5	70	M4	30	4,5
-	H18015.BM0501	15	12	10	4.5	7.5	70	M5	10	4
-	H18015.BM0501	15	12	10	4.5	7.5	70	M5	16	4,5
-	H18015.BM0501	15	12	10	4.5	7.5	70	M5	20	5,5
-	H18015.BM0501	15	12	10	4.5	7.5	70	M5	30	6,5
-	H18015.BM0501	15	12	10	4.5	7.5	70	M6	10	5
-	H18015.BM0501	15	12	10	4.5	7.5	70	M6	16	6
-	H18015.BM0501	15	12	10	4.5	7.5	70	M6	20	7,5

LM = maximum mouldable length.

Threaded stud length on request, with a minimum quantity of 250 pieces.