

H757



KNURLED SOLID HANDWHEEL WITH FEMALE THREADED INSERT

Materials:

Reinforced polyamide.
Resistant to oils and greases.

Surface finish:

Satin.

Colour:

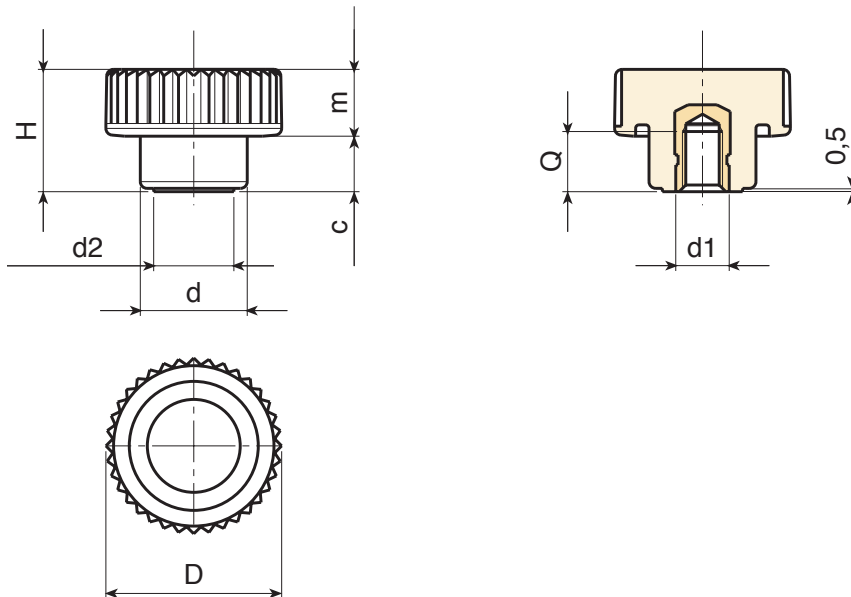
Black (RAL 9011).

Inserts:

Brass insert with female threaded hole (thread tolerance 6H).

Special Requests:

- Upon request and for special quantities inserts can be supplied in different materials.
- Upon request and for special quantities available in the colours indicated in the chart [page].



Code	art.	D	H	d	m	c	d2	d1 _{6H}	Q	
-	H18015.BM0501	26	18	16	8.5	9.5	12	M5	6	9
-	H18015.BM0501	26	18	16	8.5	9.5	12	M6	9	10
-	H18015.BM0501	26	18	16	8.5	9.5	12	M8	8	11