

# G797

## KNOB WITH THREADED STUD



**Materials:**

Reinforced polyamide.  
Resistant to oils and greases.

**Surface finish:**

Satin.

**Colour:**

Black (RAL 9011).

**Inserts:**

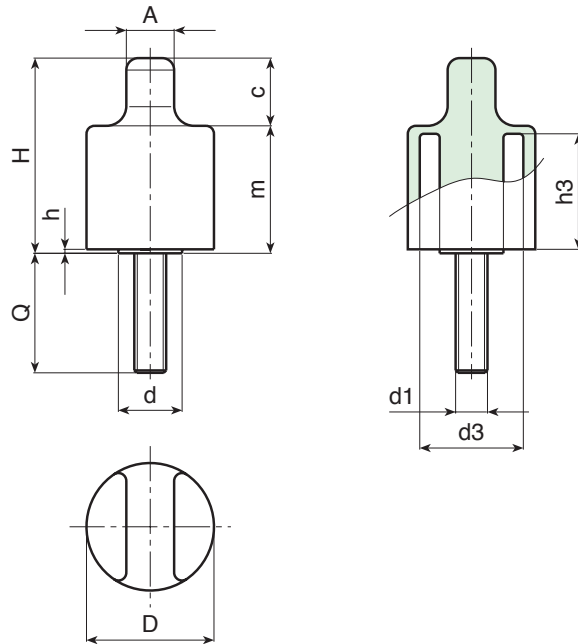
Galvanised steel threaded stud (thread tolerance 6g).

**Special requests:**

- Upon request and for special quantities inserts can be supplied with customised lengths.
- Upon request and for special quantities inserts can be supplied in different materials.
- Upon request and for special quantities available in the colours indicated in the chart [page ].



G



Code	art.	D	H	d	A	c	m	h	h3	d3	LM	d1 <sub>6g</sub>	Q	
-	G79732.TM06X2001	32	49	16	12	15	34	1	29	25.5	60	M6	20	37
-	G79732.TM08X2501	32	49	16	12	15	34	1	29	25.5	60	M8	25	43
-	G79732.TM12X2001	32	49	16	12	15	34	1	29	25.5	60	M12	20	59

Customised stud length available for a minimum of 250 pieces.  
LM = Maximum mouldable length.