

G795

KNOB WITH THREADED STUD



Materials:

Reinforced polyamide.
Resistant to oils and greases.

Surface finish:

Satin.

Colour:

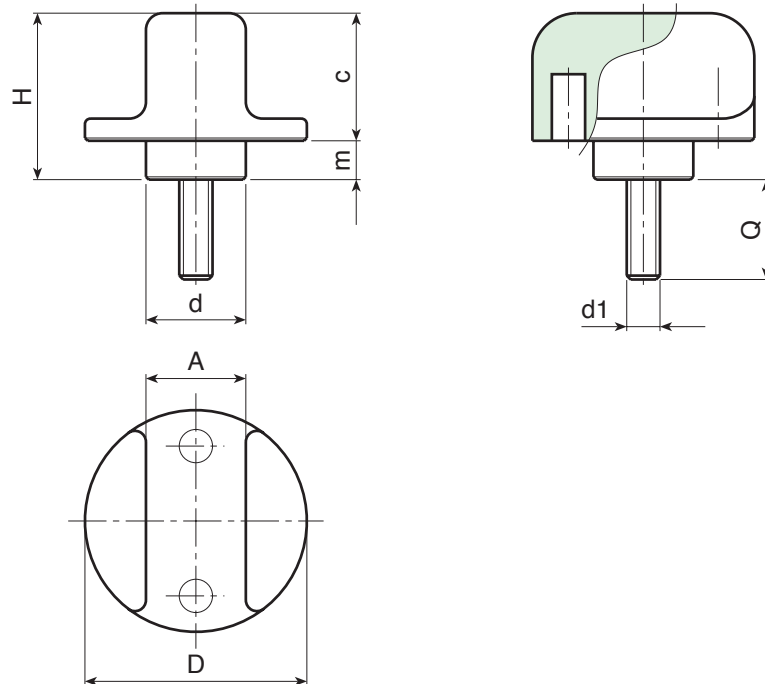
Black (RAL 9011).

Inserts:

Galvanised steel threaded stud (thread tolerance 6g).

Special requests:

- Upon request and for special quantities inserts can be supplied with customised lengths.
- Upon request and for special quantities inserts can be supplied in different materials.
- Upon request and for special quantities available in the colours indicated in the chart [page].



Code	art.	D	H	d	A	c	m	LM	d1 _{6g}	Q	g
-	G79525.TM05X1601	25	20	12	10	15	5	40	M5	16	12
-	G79525.TM06X3001	25	20	12	10	15	5	40	M6	30	14
-	G79525.TM08X2001	25	20	12	10	15	5	40	M8	20	25
-	G79540.TM08X3001	40	30	18	18	22	7	50	M8	30	40
-	G79540.TM10X3001	40	30	18	18	22	7	50	M10	30	43
-	G79540.TM12X4001	40	30	18	18	22	7	50	M12	40	67

Customised stud lengths available for a minimum of 150 pieces.
LM = Maximum mouldable length.