

4-LOBE HANDWHEEL WITH CAP AND THREADED STUD

Materials:

Reinforced polyamide. Resistant to oils and greases.

Surface finish:

Satin.

Colour:

Black (RAL 9011).

Central cap:

Grey polyamide (RAL 7035). 13).

Alternative cap colours:

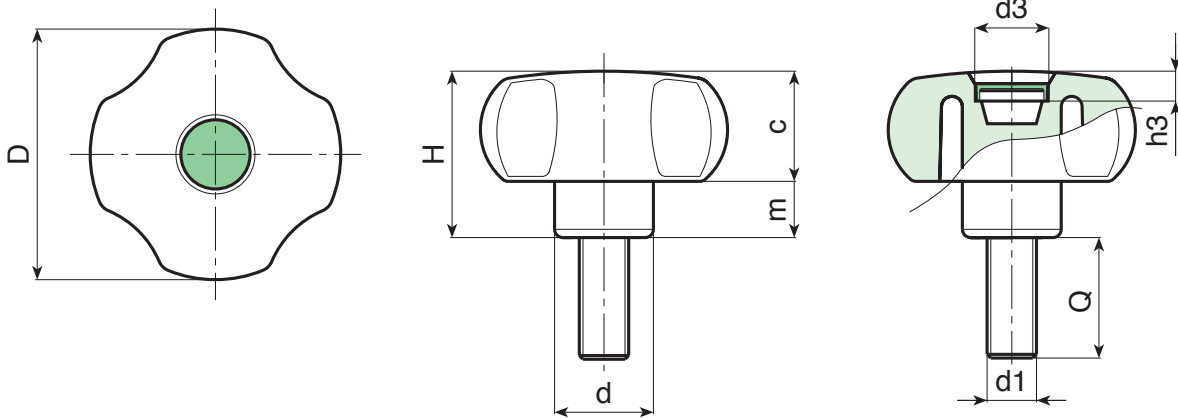
Orange (RAL 2004 code 02).
Blue (RAL 5015 code 07).
Yellow (RAL 1021 code 10).
Green (RAL 6024 code 17).
Red (RAL 3000 code 16).
Black (RAL 9011 code 01).

Inserts:

Galvanised steel threaded stud (thread tolerance 6g).

Special requests:

- Upon request and for special quantities inserts can be supplied with customised lengths.
- Upon request and for special quantities inserts can be supplied in different materials.
- Upon request and for special quantities available in the colours indicated in the chart [page].



Code	art.	D	H	d	c	m	d3	h3	LM	d1 _{6H}	Q	g
-	G74740.TM06X3001	40.5	29.5	15.5	18.5	11	20	7.5	100	M6	30	-
-	G74740.TM08X2001	40.5	29.5	15	18.5	11	20	7.5	100	M8	20	-
-	G74760.TM08X3001	59	40	23	25	15	22	7.5	120	M8	30	-
-	G74760.TM10X3001	59	40	23	25	15	22	7.5	120	M10	30	-
-	G74760.TM12X3001	59	40	23	25	15	22	7.5	120	M12	30	-

LM = Maximum mouldable length.

A.R. = Customised stud length available for a minimum of 150 pieces.