

# G732

## POKRĘTŁO 4-RAMIENNE Z GWINTOWANYM SWORZNIEM



### Materiały:

Poliamid wzmocniony. Odporna na oleje i tłuszcze.

### Powierzchnia:

Satynowana.

### Kolor:

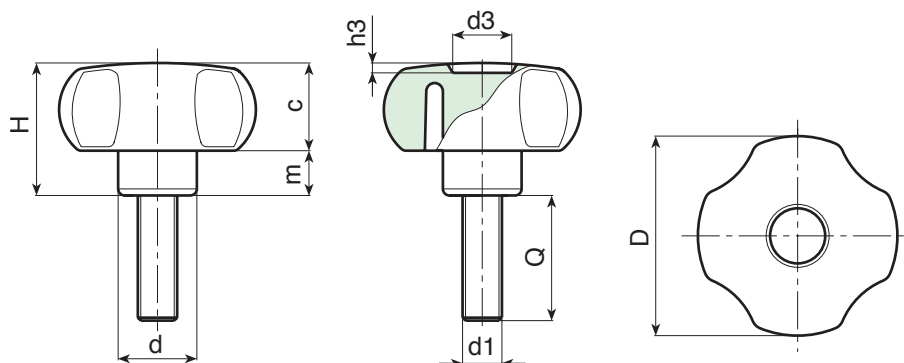
Czarny (RAL 9011).

### Wkładki:

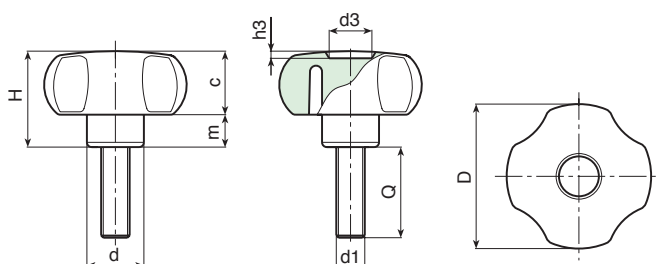
Gwintowany kołek ze stali ocynkowanej (tolerancja gwintu 6g).

### Wykonanie na specjalne zamówienie:

- Na życzenie, w zależności od ilości, wkładki mogą być dostarczane w długościach według specyficznych wymogów.
- Na życzenie i w zależności od ilości, wkładki mogą być wykonane z innego materiału.
- Na życzenie, w zależności od ilości, zgodnie z tabelą barw [str. ].



Kod	art.	D	H	d	c	m	d3	h3	LM	d1 <sub>6g</sub>	Q	g
-	G73220.TM04X1001	21	14	11	8.5	5.5	8	1.5	50	M4	10	4
-	G73220.TM04X1601	21	14	11	8.5	5.5	8	1.5	50	M4	16	4,5
-	G73220.TM04X2001	21	14	11	8.5	5.5	8	1.5	50	M4	20	5
-	G73220.TM05X1001	21	14	11	8.5	5.5	8	1.5	50	M5	10	6
-	G73220.TM05X1601	21	14	11	8.5	5.5	8	1.5	50	M5	16	6,5
-	G73220.TM05X2001	21	14	11	8.5	5.5	8	1.5	50	M5	20	7
-	G73220.TM05X3001	21	14	11	8.5	5.5	8	1.5	50	M5	30	8
-	G73220.TM06X1001	21	14	11	8.5	5.5	8	1.5	50	M6	10	6,5
-	G73220.TM06X1601	21	14	11	8.5	5.5	8	1.5	50	M6	16	7,5
-	G73220.TM06X2001	21	14	11	8.5	5.5	8	1.5	50	M6	20	8
-	G73220.TM06X3001	21	14	11	8.5	5.5	8	1.5	50	M6	30	9,5
-	G73220.TM06X4001	21	14	11	8.5	5.5	8	1.5	50	M6	40	11
-	G73225.TM05X1001	26	16	12	10	6	10	1.5	95	M5	10	8
-	G73225.TM05X1601	26	16	12	10	6	10	1.5	95	M5	16	8,5
-	G73225.TM05X2001	26	16	12	10	6	10	1.5	95	M5	20	9
-	G73225.TM05X2501	26	16	12	10	6	10	1.5	95	M5	25	9,5
-	G73225.TM06X1001	26	16	12	10	6	10	1.5	95	M6	10	10
-	G73225.TM06X1601	26	16	12	10	6	10	1.5	95	M6	16	11
-	G73225.TM06X2001	26	16	12	10	6	10	1.5	95	M6	20	13
-	G73225.TM06X2501	26	16	12	10	6	10	1.5	95	M6	25	14
-	G73225.TM06X3001	26	16	12	10	6	10	1.5	95	M6	30	15
-	G73225.TM08X1601	26	16	12	10	6	10	1.5	90	M8	16	14
-	G73225.TM08X2001	26	16	12	10	6	10	1.5	90	M8	20	16
-	G73225.TM08X3001	26	16	12	10	6	10	1.5	90	M8	30	20



Kod	art.	D	H	d	c	m	d3	h3	LM	d1 <sub>6g</sub>	Q	g
-	G73225.TM08X4001	26	16	12	10	6	10	1.5	90	M8	40	24
-	G73230.TM05X2001	30	23	15	13.5	9.5	12	2	90	M5	20	13
-	G73230.TM05X3001	30	23	15	13.5	9.5	12	2	90	M5	30	14
-	G73230.TM06X1001	30	23	15	13.5	9.5	12	2	90	M6	10	14
-	G73230.TM06X1601	30	23	15	13.5	9.5	12	2	90	M6	16	15
-	G73230.TM06X2001	30	23	15	13.5	9.5	12	2	90	M6	20	16
-	G73230.TM06X3001	30	23	15	13.5	9.5	12	2	90	M6	30	18
-	G73230.TM06X4001	30	23	15	13.5	9.5	12	2	90	M6	40	20
-	G73230.TM06X5001	30	23	15	13.5	9.5	12	2	90	M6	50	22
-	G73230.TM08X1601	30	23	15	13.5	9.5	12	2	90	M8	16	20
-	G73230.TM08X2001	30	23	15	13.5	9.5	12	2	90	M8	20	22
-	G73230.TM08X3001	30	23	15	13.5	9.5	12	2	90	M8	30	25
-	G73230.TM08X4001	30	23	15	13.5	9.5	12	2	90	M8	40	28
-	G73230.TM08X5001	30	23	15	13.5	9.5	12	2	90	M8	50	31
-	G73230.TM10X2001	30	23	15	13.5	9.5	12	2	90	M10	20	25
-	G73230.TM10X5001	30	23	15	13.5	9.5	12	2	90	M10	50	43
-	G73240.TM06X1001	40.5	29.5	15.5	18.5	11	12	3	100	M6	10	23
-	G73240.TM06X1601	40.5	29.5	15.5	18.5	11	12	3	100	M6	16	24
-	G73240.TM06X2001	40.5	29.5	15.5	18.5	11	12	3	100	M6	20	26
-	G73240.TM06X3001	40.5	29.5	15.5	18.5	11	12	3	100	M6	30	28
-	G73240.TM06X4001	40.5	29.5	15.5	18.5	11	12	3	100	M6	40	30
-	G73240.TM08X1601	40.5	29.5	15	18.5	11	12	3	100	M8	16	28
-	G73240.TM08X2001	40.5	29.5	15	18.5	11	12	3	100	M8	20	31
-	G73240.TM08X3001	40.5	29.5	15	18.5	11	12	3	100	M8	30	34
-	G73240.TM08X4001	40.5	29.5	15	18.5	11	12	3	100	M8	40	37
-	G73240.TM08X5001	40.5	29.5	15	18.5	11	12	3	100	M8	50	40
-	G73240.TM10X2001	40.5	29.5	17.5	18.5	11	12	3	100	M10	20	38
-	G73240.TM10X3001	40.5	29.5	17.5	18.5	11	12	3	100	M10	30	43
-	G73250.TM06X2001	49	32	20.5	21.5	11	14.5	2.5	120	M6	20	43
-	G73250.TM08X1601	49	32	20.5	21.5	11	14.5	2.5	120	M8	16	49
-	G73250.TM08X2001	49	32	20.5	21.5	11	14.5	2.5	120	M8	20	51
-	G73250.TM08X3001	49	32	20.5	21.5	11	14.5	2.5	120	M8	30	54
-	G73250.TM08X4001	49	32	20.5	21.5	11	14.5	2.5	120	M8	40	57
-	G73250.TM08X5001	49	32	20.5	21.5	11	14.5	2.5	120	M8	50	60
-	G73250.TM08X6001	49	32	20.5	21.5	11	14.5	2.5	120	M8	60	64
-	G73250.TM10X2001	49	32	20.5	21.5	11	14.5	2.5	120	M10	20	58
-	G73250.TM10X3001	49	32	20.5	21.5	11	14.5	2.5	120	M10	30	63
-	G73250.TM10X4001	49	32	20.5	21.5	11	14.5	2.5	120	M10	40	68
-	G73250.TM10X5001	49	32	20.5	21.5	11	14.5	2.5	120	M10	50	72
-	G73250.TM10X6001	49	32	20.5	21.5	11	14.5	2.5	120	M10	60	77
-	G73250.TM12X3001	49	32	20.5	21.5	11	14.5	2.5	120	M12	30	77
-	G73250.TM12X5001	49	32	20.5	21.5	11	14.5	2.5	120	M12	50	90
-	G73260.TM08X1601	59	40	23	25	15	24	4	120	M8	16	81
-	G73260.TM08X2001	59	40	23	25	15	24	4	120	M8	20	81
-	G73260.TM08X3001	59	40	23	25	15	24	4	120	M8	30	81
-	G73260.TM08X4001	59	40	23	25	15	24	4	120	M8	40	81
-	G73260.TM08X5001	59	40	23	25	15	24	4	120	M8	50	81
-	G73260.TM10X2001	59	40	23	25	15	24	4	120	M10	20	79
-	G73260.TM10X3001	59	40	23	25	15	24	4	120	M10	30	84
-	G73260.TM10X6001	59	40	23	25	15	24	4	120	M10	60	100
-	G73260.TM12X2501	59	40	23	25	15	24	4	120	M12	25	94
-	G73260.TM12X3001	59	40	23	25	15	24	4	120	M12	30	97
-	G73260.TM12X4001	59	40	23	25	15	24	4	120	M12	40	104
-	G73260.TM12X5001	59	40	23	25	15	24	4	120	M12	50	111
-	G73260.TM12X6001	59	40	23	25	15	24	4	120	M12	60	119
-	G73280.TM12X2501	79	41	30	24	17	21	3	80	M12	25	115
-	G73280.TM12X5001	79	41	30	24	17	21	3	80	M12	50	135
-	G73280.TM12X6001	79	41	30	24	17	21	3	80	M12	60	142