

G650

6-LOBE HANDWHEEL WITH CAP AND THREADED INSERT



Materials:

Reinforced polyamide.
Resistant to oils and greases.

Surface finish:

Satin.

Colour:

Black (RAL 9011).

Central Cap:

Grey polyamide (RAL 7035). 13).

Alternative Cap colours:

Orange (RAL 2004 code 02).
Blue (RAL 5015 code 07).
Yellow (RAL 1021 code 10).
Red (RAL 3000 code 16).
Green (RAL 6024 code 17).
Black (RAL 9011 code 01).

Inserts:

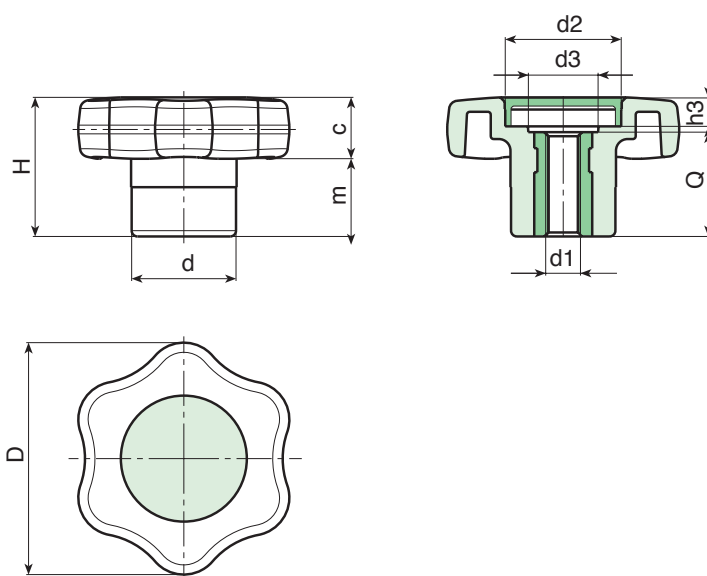
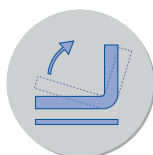
Brass insert with threaded through hole (thread tolerance 6H).

Special Requests:

- Upon request and for special quantities inserts can be supplied in different materials.
- Upon request and for special quantities available in the colours indicated in the chart [page].

PAD PRINTING SERVICE

Upon request and for special quantities caps can be supplied with custom pad printing.



Code	art.	D	H	d	m	c	d2	d3	h3	d1 _{6H}	Q	g
-	G65040.TM0601	40	24	18	10.5	13.5	20	13	6	M6	18	18
-	G65040.TM0801	40	24	18	10.5	13.5	20	13	6	M8	18	19
-	G65040.TM1001	40	24	18	10.5	13.5	20	13	6	M10	18	20