

G210

PUSH-FIT INDICATOR KNOB WITH HALFMOON HOLE



Materials:

Reinforced copolymer polypropylene.

Surface finish:

Satin.

Colour:

Black (RAL 9011).

Pointer Colour:

White line obtained by pad printing.

Hole:

Halfmoon-shaped blind smooth hole obtained by moulding.

Assembly:

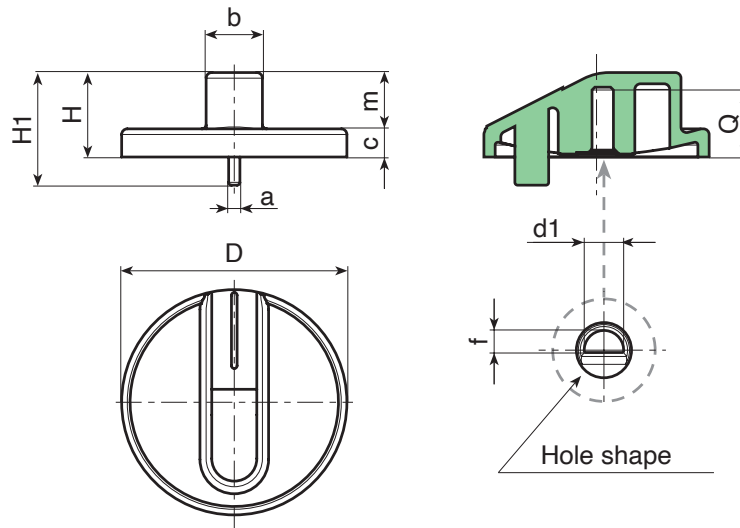
Push-fit.

Special requests:

- None.



G



Code	art.	D	H	H1	a	b	c	m	f	d1	Q	
-	G210040.TG0601Z1	39.5	15	20	2	9.5	5	10	3.8	6	12	5