

# G130

## "EUROMODEL" KNURLED KNOB WITH CAP



### Materials:

Reinforced polyamide. Resistant to oils and greases.

### Surface finish:

Satin.

### Handwheel colour:

Black (RAL 9011).

### Central cap:

Central cap in grey polyamide (RAL 7035 code 13) with black polyamide support ring. Push fit assembling. Removable.

### Alternative cap colours:

Orange (RAL 2004 code 02).  
 Blue (RAL 5015 code 07).  
 Yellow (RAL 1021 code 10).  
 Red (RAL 3000 code 16).  
 Green (RAL 6024 code 17).  
 Black (RAL 9011 code 01).

### Inserts:

#### Version TD:

Galvanised steel insert with smooth through bore (tolerance H10).

#### Version TM:

Galvanised steel insert with threaded through hole (tolerance hole 6H).

### Fixing hole D2:

#### Version TD:

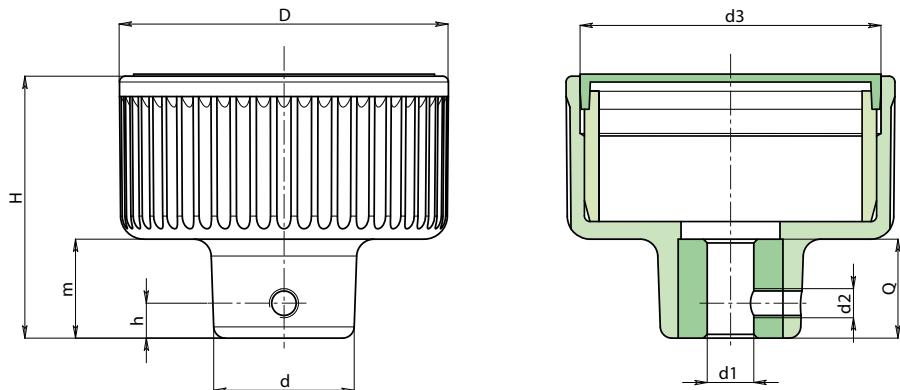
Fixing threaded hole.

#### Version TM:

None.

### Special requests:

- Upon request and for special quantities inserts can be supplied with custom hole diameter d1.
- Upon request and for special quantities inserts can be supplied in different materials.
- Upon request and for special quantities available in the colours indicated in the chart [page ].



### Version TD: with smooth through hole.

Code	art.	D	d	H	m	h	d2	d3	dm	d1 <sub>H10</sub>	Q	g
-	G130057.TD080113	57	24	46	17	6	M5	52	12	8	16	105
-	G130072.TD080113	72	28	53	21	6	M5	67	12	8	20	165
-	G130094.TD100113	94	36	58	24	6	M5	87	15	10	24	376

Attention: for a minimum of 50 pieces the diameter d1 can be produced with the requested dimensions (H10 tolerance)  
 Dm = Maximum obtainable diameter for subsequent machining (widening).

### Version TM with threaded through hole

Code	art.	D	d	H	m	h	d2	d3	dm	d1 <sub>6H</sub>	Q	g
-	G130057.TM080113	57	24	46	17	-	-	52	12	M8	16	105
-	G130072.TM100113	72	28	53	21	-	-	67	12	M10	20	165
-	G130094.TM120113	94	36	58	24	-	-	87	15	M12	24	376

Attention: for a minimum of 50 pieces the diameter d1 can be produced with the requested dimensions.