

F664



POKRĘTŁO KRZYŻOWE Z PIASTĄ ZE STALI I GWINTOWANYM SWORZNIEM

Materiały:

Poliamid wzmocniony. Odporna na oleje i tłuszcze.

Powierzchnia:

Satynowana.

Kolor:

Czarny (RAL 9011).

Wkładki:

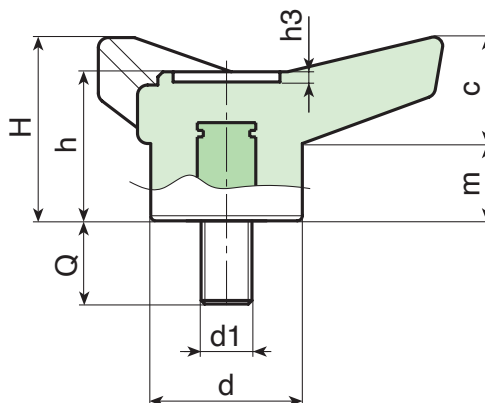
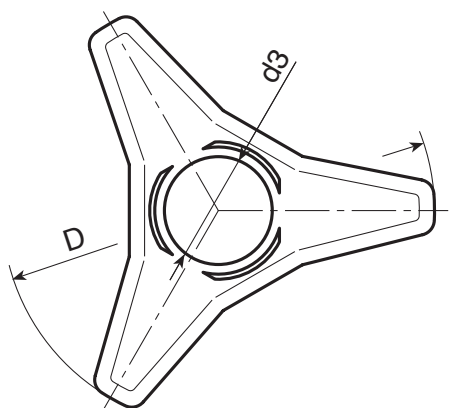
Gwintowany kołek ze stali ocynkowanej (tolerancja gwintu 6g).

Piasta:

Piasta Pełna

Wykonanie na specjalne zamówienie:

- Na życzenie, w zależności od ilości, wkładki mogą być dostarczane w długościach według specyficznych wymogów.
- Na życzenie i w zależności od ilości, wkładki mogą być wykonane z innego materiału.
- Na życzenie, w zależności od ilości, zgodnie z tabelą barw na str. .



| Kod | art. | D | H | h | d | c | m | d3 | h3 | LM | d1 _{6g} | Q | g |
|-----|-------------------|-----|----|------|------|------|------|------|-----|-----|------------------|----|------|
| - | F664045.TM06X2001 | 45 | 21 | 18 | 16 | 11 | 10 | 11 | 1 | 60 | M6 | 20 | 14 |
| - | F664045.TM06X3001 | 45 | 21 | 18 | 16 | 11 | 10 | 11 | 1 | 60 | M6 | 30 | 17 |
| - | F664045.TM08X2001 | 45 | 21 | 18 | 16 | 11 | 10 | 11 | 1 | 60 | M8 | 20 | 19 |
| - | F664045.TM08X2501 | 45 | 21 | 18 | 16 | 11 | 10 | 11 | 1 | 60 | M8 | 25 | 20,5 |
| - | F664045.TM08X3001 | 45 | 21 | 18 | 16 | 11 | 10 | 11 | 1 | 60 | M8 | 30 | 22 |
| - | F664065.TM08X2001 | 65 | 28 | 23.5 | 22 | 16.5 | 11.5 | 15.5 | 1.5 | 80 | M8 | 20 | 36 |
| - | F664065.TM08X2501 | 65 | 28 | 23.5 | 22 | 16.5 | 11.5 | 15.5 | 1.5 | 80 | M8 | 25 | 37,5 |
| - | F664065.TM08X3001 | 65 | 28 | 23.5 | 22 | 16.5 | 11.5 | 15.5 | 1.5 | 80 | M8 | 30 | 39 |
| - | F664065.TM10X2001 | 65 | 28 | 23.5 | 22 | 16.5 | 11.5 | 15.5 | 1.5 | 80 | M10 | 20 | 43 |
| - | F664065.TM10X3001 | 65 | 28 | 23.5 | 22 | 16.5 | 11.5 | 15.5 | 1.5 | 80 | M10 | 30 | 47 |
| - | F664065.TM10X5001 | 65 | 28 | 23.5 | 22 | 16.5 | 11.5 | 15.5 | 1.5 | 80 | M10 | 50 | 55 |
| - | F664085.TM08X2001 | 85 | 37 | 30.5 | 30 | 21 | 16 | 21 | 2 | 60 | M8 | 20 | 61 |
| - | F664085.TM08X2501 | 85 | 37 | 30.5 | 30 | 21 | 16 | 21 | 2 | 60 | M8 | 25 | 65 |
| - | F664085.TM08X3001 | 85 | 37 | 30.5 | 30 | 21 | 16 | 21 | 2 | 60 | M8 | 30 | 69 |
| - | F664085.TM10X2501 | 85 | 37 | 30.5 | 30 | 21 | 16 | 21 | 2 | 60 | M10 | 25 | 66 |
| - | F664085.TM10X3001 | 85 | 37 | 30.5 | 30 | 21 | 16 | 21 | 2 | 60 | M10 | 30 | 74 |
| - | F664085.TM10X4001 | 85 | 37 | 30.5 | 30 | 21 | 16 | 21 | 2 | 60 | M10 | 40 | 80 |
| - | F664085.TM12X2001 | 85 | 37 | 30.5 | 30 | 21 | 16 | 21 | 2 | 60 | M12 | 20 | 83 |
| - | F664085.TM12X3001 | 85 | 37 | 30.5 | 30 | 21 | 16 | 21 | 2 | 60 | M12 | 30 | 87 |
| - | F664085.TM12X4001 | 85 | 37 | 30.5 | 30 | 21 | 16 | 21 | 2 | 60 | M12 | 40 | 94 |
| - | F664105.TM10X2001 | 105 | 46 | 37.5 | 35 | 26 | 19 | 25 | 2 | 80 | M10 | 20 | 113 |
| - | F664105.TM10X3001 | 105 | 46 | 37.5 | 35 | 26 | 19 | 25 | 2 | 80 | M10 | 30 | 116 |
| - | F664105.TM10X4001 | 105 | 46 | 37.5 | 35 | 26 | 19 | 25 | 2 | 80 | M10 | 40 | 122 |
| - | F664105.TM12X3001 | 105 | 46 | 37.5 | 35 | 26 | 19 | 25 | 2 | 80 | M12 | 30 | 121 |
| - | F664105.TM12X5001 | 105 | 46 | 37.5 | 35 | 26 | 19 | 25 | 2 | 80 | M12 | 50 | 136 |
| - | F664105.TM14X5001 | 105 | 46 | 37.5 | 35 | 26 | 19 | 25 | 2 | 80 | M14 | 50 | 152 |
| - | F664125.TM12X3001 | 125 | 54 | 44 | 42.5 | 31 | 23 | 28.5 | 2 | 100 | M12 | 30 | 200 |
| - | F664125.TM14X3001 | 125 | 54 | 44 | 42.5 | 31 | 23 | 28.5 | 2 | 100 | M14 | 30 | 219 |
| - | F664125.TM16X3001 | 125 | 54 | 44 | 42.5 | 31 | 23 | 28.5 | 2 | 100 | M16 | 30 | 232 |

Długość sworznia na życzenie, dla minimalnej ilości 150 sztuk.

