

F664



STAR HANDWHEEL WITH STEEL HUB AND THREADED STUD

Materials:

Reinforced polyamide. Resistant to oils and greases.

Surface finish:

Satin.

Colour:

Black (RAL 9011).

Inserts:

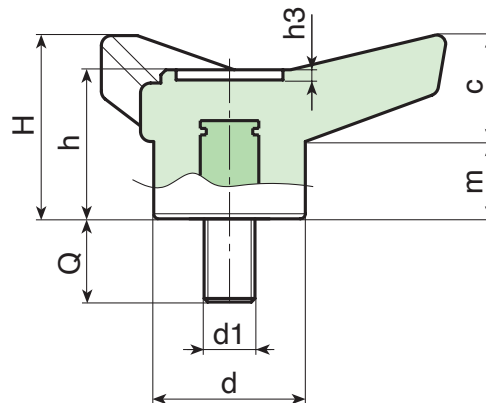
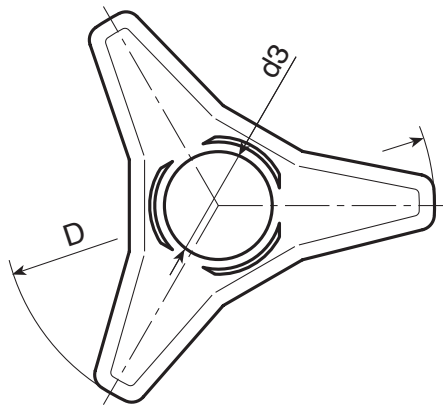
Galvanised steel threaded stud (thread tolerance 6g).

Hub:

Solid Hub

Special requests:

- Upon request and for special quantities inserts can be supplied with customised lengths.
- Upon request and for special quantities inserts can be supplied in different materials.
- Upon request and for special quantities available in the colours indicated in the chart on page .



Code	art.	D	H	h	d	c	m	d3	h3	LM	d1 _{6g}	Q	g
-	F664045.TM06X2001	45	21	18	16	11	10	11	1	60	M6	20	14
-	F664045.TM06X3001	45	21	18	16	11	10	11	1	60	M6	30	17
-	F664045.TM08X2001	45	21	18	16	11	10	11	1	60	M8	20	19
-	F664045.TM08X2501	45	21	18	16	11	10	11	1	60	M8	25	20,5
-	F664045.TM08X3001	45	21	18	16	11	10	11	1	60	M8	30	22
-	F664065.TM08X2001	65	28	23.5	22	16.5	11.5	15.5	1.5	80	M8	20	36
-	F664065.TM08X2501	65	28	23.5	22	16.5	11.5	15.5	1.5	80	M8	25	37,5
-	F664065.TM08X3001	65	28	23.5	22	16.5	11.5	15.5	1.5	80	M8	30	39
-	F664065.TM10X2001	65	28	23.5	22	16.5	11.5	15.5	1.5	80	M10	20	43
-	F664065.TM10X3001	65	28	23.5	22	16.5	11.5	15.5	1.5	80	M10	30	47
-	F664065.TM10X5001	65	28	23.5	22	16.5	11.5	15.5	1.5	80	M10	50	55
-	F664085.TM08X2001	85	37	30.5	30	21	16	21	2	60	M8	20	61
-	F664085.TM08X2501	85	37	30.5	30	21	16	21	2	60	M8	25	65
-	F664085.TM08X3001	85	37	30.5	30	21	16	21	2	60	M8	30	69
-	F664085.TM10X2501	85	37	30.5	30	21	16	21	2	60	M10	25	66
-	F664085.TM10X3001	85	37	30.5	30	21	16	21	2	60	M10	30	74
-	F664085.TM10X4001	85	37	30.5	30	21	16	21	2	60	M10	40	80
-	F664085.TM12X2001	85	37	30.5	30	21	16	21	2	60	M12	20	83
-	F664085.TM12X3001	85	37	30.5	30	21	16	21	2	60	M12	30	87
-	F664085.TM12X4001	85	37	30.5	30	21	16	21	2	60	M12	40	94
-	F664105.TM10X2001	105	46	37.5	35	26	19	25	2	80	M10	20	113
-	F664105.TM10X3001	105	46	37.5	35	26	19	25	2	80	M10	30	116
-	F664105.TM10X4001	105	46	37.5	35	26	19	25	2	80	M10	40	122
-	F664105.TM12X3001	105	46	37.5	35	26	19	25	2	80	M12	30	121
-	F664105.TM12X5001	105	46	37.5	35	26	19	25	2	80	M12	50	136
-	F664105.TM14X5001	105	46	37.5	35	26	19	25	2	80	M14	50	152
-	F664125.TM12X3001	125	54	44	42.5	31	23	28.5	2	100	M12	30	200
-	F664125.TM14X3001	125	54	44	42.5	31	23	28.5	2	100	M14	30	219
-	F664125.TM16X3001	125	54	44	42.5	31	23	28.5	2	100	M16	30	232

Customised stud lengths available for a minimum of 150 pieces.