

# F286



## STAR HANDWHEEL WITH STEEL HUB AND THREADED HOLE

### Materials:

Reinforced polyamide.  
Resistant to oils and greases.

### Surface finish:

Satin.

### Colour:

Black (RAL 9011).

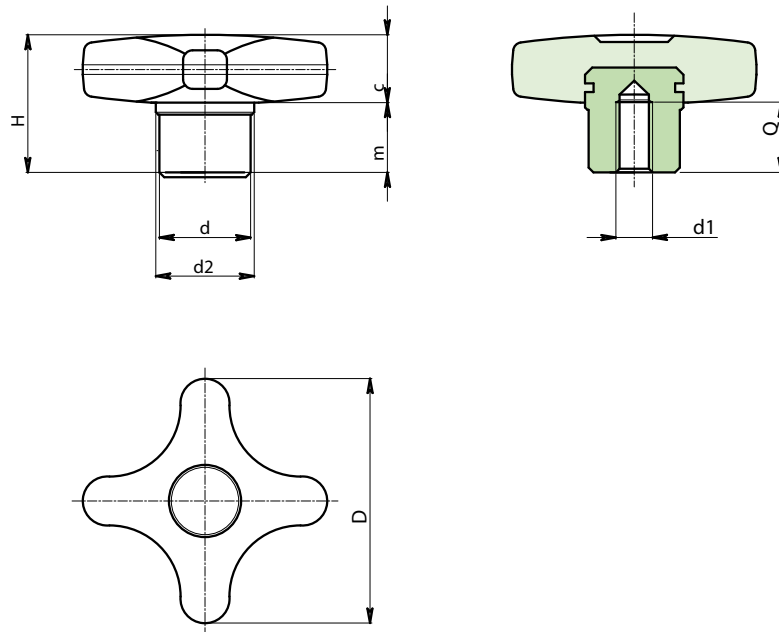
### Inserts:

**F286:**  
Galvanised steel insert with female threaded hole (thread tolerance 6H).

**F286CIN:**  
Stainless steel insert with female threaded hole (Aisi 303) (thread tolerance 6H).

### Special requests:

- Upon request and for special quantities inserts can be supplied with custom hole diameter d1.
- Upon request and for special quantities available in the colours indicated in the chart on page .



### Version F286: Galvanised steel hub.

Code	Art.	D	d	d2	H	m	c	d1 <sub>6H</sub>	Q	
-	F28632.TM0601	32	13	15	22	11	11	M6	12	23
-	F28640.TM0801	40	14	16	24	12	12	M8	14	32
-	F28650.TM1001	50	18	20	29	15	14	M10	16	54
-	F28660.TM1201	60	20	24	34	18	16	M12	20	90

### Version F286 CIN: Stainless steel hub (Aisi 303).

INOX

Code	Art.	D	d	d2	H	m	c	d1 <sub>6H</sub>	Q	
-	F28632.TM0601CIN	32	13	15	22	11	11	M6	12	23
-	F28640.TM0801CIN	40	14	16	24	12	12	M8	14	32
-	F28650.TM1001CIN	50	18	20	29	15	14	M10	16	54
-	F28660.TM1201CIN	60	20	24	34	18	16	M12	20	90