

F276



6-LOBE HANDWHEEL WITH STEEL HUB AND SMOOTH BORE

Materials:

Reinforced polyamide.
Resistant to oils and greases.

Surface finish:

Satin.

Colour:

Black (RAL 9011).

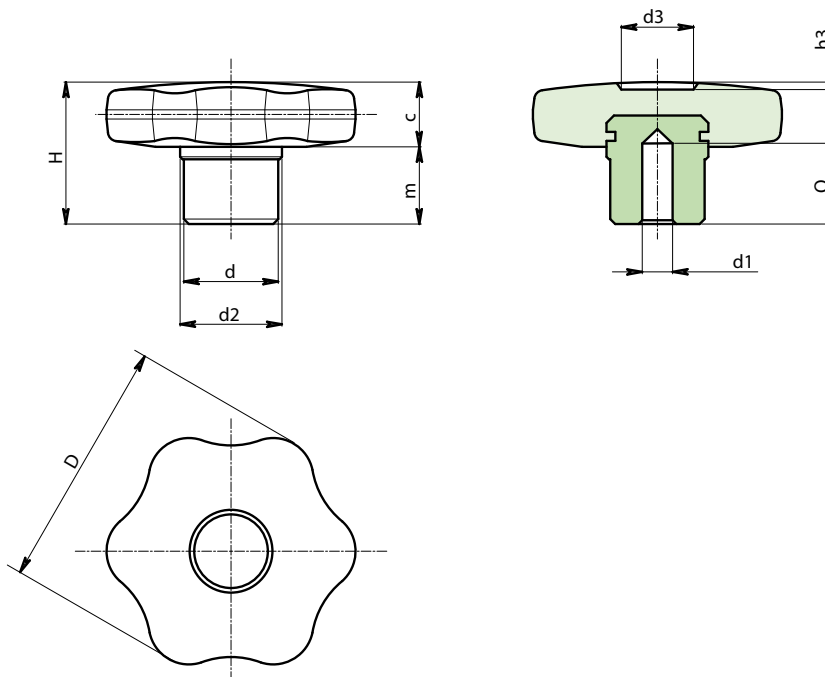
Inserts:

F276:
Galvanised steel insert with blind smooth bore (bore tolerance H9).

F276CIN:
Galvanised steel insert with blind smooth bore (Aisi 303) (bore tolerance H7).

Special requests:

- Upon request and for special quantities inserts can be supplied with custom hole diameter d1.
- Upon request and for special quantities available in the colours indicated in the chart (attention: reduced range) [page].



Version F276: Galvanised steel hub.

Code	Art.	D	d	d2	H	m	c	d1 _{H9}	Q	g
-	F27630.TD0601	30	13	15	22	11	11	6	12	26
-	F27640.TD0801	40	15	17	24	12	12	8	14	40
-	F27650.TD1001	50	18	20	29	15	14	10	16	67
-	F27660.TD1201	60	20	24	34	18	16	12	20	102

Version F276 CIN: Stainless steel hub (Aisi 303).

INOX

Code	Art.	D	d	d2	H	m	c	d1 _{H9}	Q	g
-	F27630.TD0601CIN	30	13	15	22	11	11	6	12	26
-	F27640.TD0801CIN	40	15	17	24	12	12	8	14	40
-	F27650.TD1001CIN	50	18	20	29	15	14	10	16	67
-	F27660.TD1201CIN	60	20	24	34	18	16	12	20	102