

# F275



## 6-LOBE HANDWHEEL WITH STEEL HUB AND THREADED HOLE

### Materials:

Reinforced polyamide.  
Resistant to oils and greases.

### Surface finish:

Satin.

### Colour:

Black (RAL 9011).

### Inserts:

#### F275:

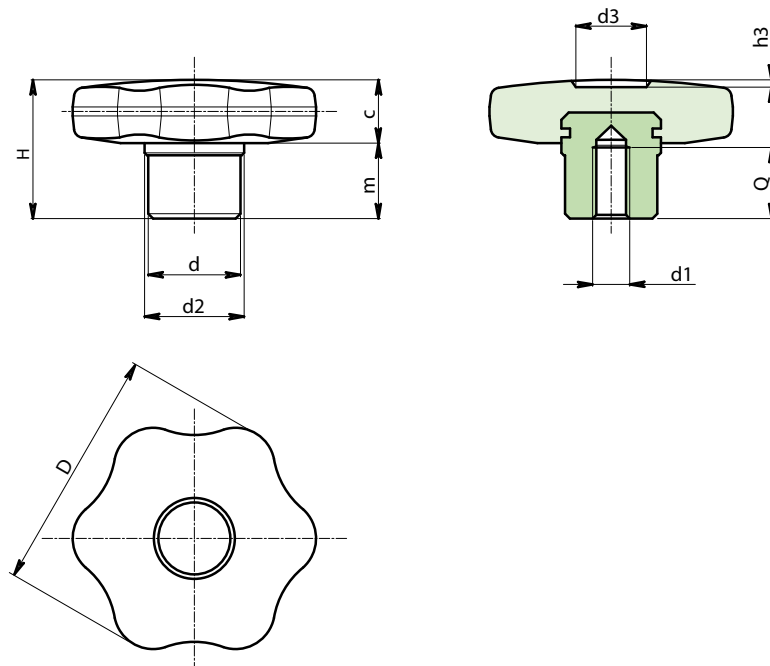
Galvanised steel insert with female threaded hole (thread tolerance 6H).

#### F275CIN:

Stainless steel insert with female threaded hole (Aisi 303) (thread tolerance 6H).

### Special Requests:

- Upon request and for special quantities inserts can be supplied with custom hole diameter d1.
- Upon request and for special quantities available in the colours indicated in the chart (attention: reduced range) [page ].



### Version F275: Galvanised steel hub.

Code	Art.	D	d	d2	H	m	c	d1 <sub>6H</sub>	Q	g
-	F27530.TM0601	30	13	15	22	11	11	M6	12	25
-	F27540.TM0801	40	15	17	24	12	12	M8	14	39
-	F27550.TM1001	50	18	20	29	15	14	M10	16	66
-	F27560.TM1201	60	20	24	34	18	16	M12	20	105

### Version F275 CIN: Stainless steel hub (Aisi 303).

INOX

Code	Art.	D	d	d2	H	m	c	d1 <sub>6H</sub>	Q	g
-	F27530.TM0601CIN	30	13	15	22	11	11	M6	12	25
-	F27540.TM0801CIN	40	15	17	24	12	12	M8	14	39
-	F27550.TM1001CIN	50	18	20	29	15	14	M10	16	66
-	F27560.TM1201CIN	60	20	24	34	18	16	M12	20	105