

# F269



## HIGH CLAMPING STAR HANDWHEEL WITH THREADED INSERT

### Materials:

Reinforced polyamide.  
Resistant to oils and greases.

### Surface finish:

Satin.

### Colour:

Black (RAL 9011).

### Inserts:

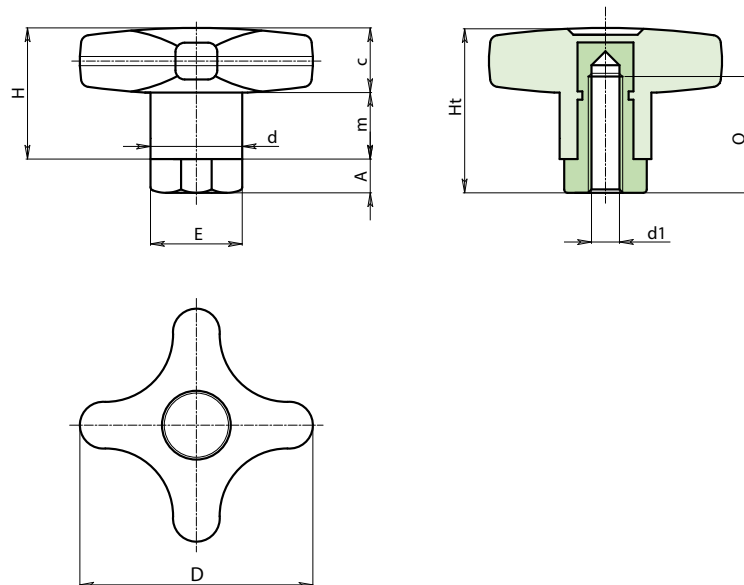
Nickel-plated brass insert with female threaded hole (thread tolerance 6H).

### Special Requests:

- Upon request and for special quantities available in the colours indicated in the chart (attention: reduced range) [page ].

### ATTENTION:

For a standard lock turn the knob. For a tighter lock, use a hex wrench to tighten the hex nut.



Code	Art.	D	d	H	Ht	A	E	m	c	d1 <sub>6H</sub>	Q	g
-	F26950.TM0601	50	18	29	39	10	17	15	14	M6	25	72
-	F26950.TM0801	50	18	29	39	10	17	15	14	M8	25	67
-	F26950.TM1001	50	18	29	39	10	17	15	14	M10	25	60