

# F210



PF

UL94  
HB



## SOLID BAKELITE CROSS KNOB WITH FEMALE THREADED INSERT

### Materials:

Phenolic resin.  
Resistant to oils and greases.  
Resistant to high temperatures.

### Surface finish:

Glossy.

### Colour:

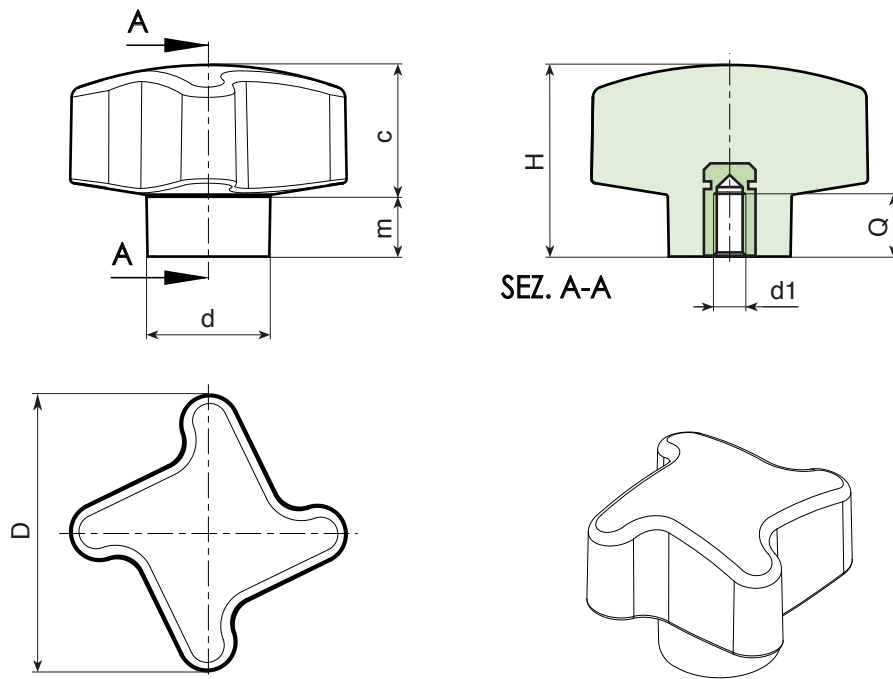
Black (RAL 9011).

### Inserts:

Brass insert with female threaded hole (thread tolerance 6H).

### Special requests:

- None.



Code	art.	D	d	H	m	c	d1 <sub>6H</sub>	Q	g
-	F21030.BM0601	30	16	22	5,5	16,5	M6	10	0
-	F21040.BM0601	40	21	26	5	21	M6	10	0
-	F21040.BM0801	40	21	26	5	21	M8	13.5	28
-	F21040.BM1001	40	21	26	5	21	M10	15	-
-	F21050.BM0801	50	23	31	7	24	M8	15	-
-	F21050.BM1001	50	23	31	7	24	M10	15	-
-	F21050.BM1201	50	23	31	7	24	M12	18	-