

F204

UPDATE

+170°
-20°

PF

UL94
HB

RoHS
COMPLIANT

SOLID BAKELITE LOBED KNOB WITH INSERT AND THREADED THROUGH HOLE

Materials:

Phenolic resin.
Resistant to oils and greases.
Resistant to high temperatures.

Surface finish:

Glossy.

Colour:

Black (RAL 9011).

Inserts:

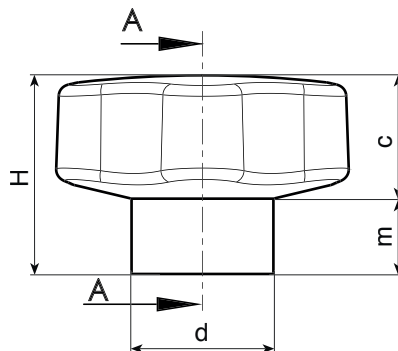
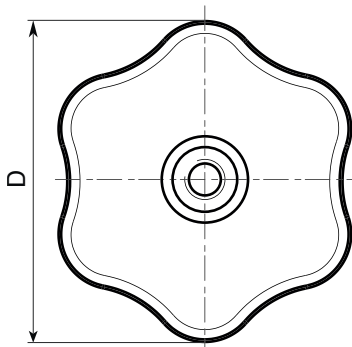
Brass insert with threaded through hole (thread tolerance 6H).

Special requests:

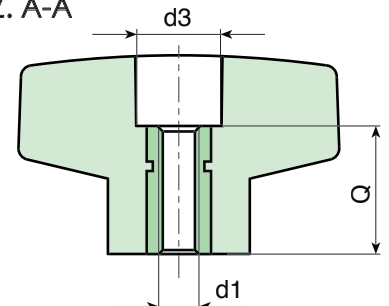
- None.



06



SEZ. A-A



Code	art.	D	d	H	m	c	d3	d1 _{6H}	Q	g
F20440.0002	F20440.BM0801	40	21	30	13	17	13	M8	17	26
F20440.0003	F20440.BM1001	40	21	30	13	17	13	M10	17	24
F20460.0003	F20460.BM1201	60	28	37	15	22	15	M12	26	85